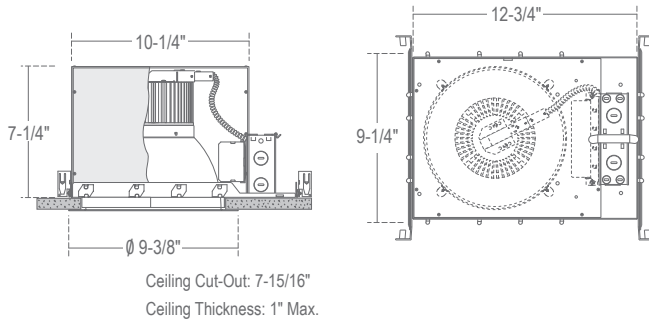


## CH8IC : C-SERIES

8" TYPE IC LED DOWNLIGHT NEW CONSTRUCTION 1000LM - 3400LM (8W-39W)



- IC rated housing
- Twist and lock reflector for quick access to LED lamp array
- Heavy-duty self-flanged reflector
- Soft even lumen distribution
- No visible screws or hardware



### ORDERING – CH810ICUE-D10-EM-CHP/CR8L22SW-EMA-T30



[Click for Full Specification Details](#)

CH8xxIC

Housing Control Emergency Options J-Box / Reflector Reflector Finish Reflector Option CCT Options

Housing <sup>1</sup>	Reflector <sup>1</sup>	Reflector Finish	Reflector Option	CCT	Options
1000lm (8W) <b>CH808IC</b> [Options]	<b>/CR8L22</b>	Satin Haze Reflector/ White Finish	None	2700K (84 CRI) <b>-T27</b>	None
1700lm (17W) <b>CH810IC</b> [Options]	<b>/CR8L22</b>	White Reflector/ White Finish	Integral EM Switch	3000K (84 CRI) <b>-T30</b>	4.5" Ceiling Thickness
2000lm (22W) <b>CH818IC</b> [Options]	<b>/CR8L22</b>	White Reflector/ White Finish		3500K (84 CRI) <b>-T35</b>	
2400lm (28W) <b>CH828IC</b> [Options]	<b>/CR8L22</b>	All Black		4000K (84 CRI) <b>-T40</b>	
2900lm (31W) <b>CH829IC</b> [Options]	<b>/CR8L30</b>	Clear Specular Reflector/White Finish		5000K (84 CRI) <b>-T50</b>	
3400lm (39W) <b>CH839IC</b> [Options]	<b>/CR8L36</b>	All Satin Haze			

**Options**

**Control<sup>2</sup>**

**Emergency Options<sup>8</sup>**

**J-Box**

0-10V Dimming	<b>UE-D10</b>	None	<b>Blank</b>	None	<b>Blank</b>
UniDim™ 0-10V, TRIAC/ELV Dimming	<b>UE-DUN</b>	10W Emergency Battery	<b>-EM</b>	Junction Box (Chicago Plenum)	<b>-CHP</b>
TRIAC/ELV Dimming (120V)	<b>-DIN</b>	Full Power Emergency Inverter	<b>-EMAC<sup>7</sup></b>		
Lutron Hi-Lume	<b>UE-DHL</b>	Full Power Emergency Inverter (347V)	<b>-EMAC347<sup>7</sup></b>		
Lutron EcoSystem	<b>UE-ECO</b>	GTD Device	<b>-GTD</b>		
0-10V Dimming (347V)	<b>-347-D10<sup>6</sup></b>				
1%, 0-10V Dimming	<b>UE-D10P1</b>				
0-10V Dimming with 10W Integral Emergency Battery Backup	<b>UE-D10-EMA<sup>3,9</sup></b>				
DMX Dimming with input via XLR5	<b>UE-DMXLR5</b>				
DMX Dimming with input via RJ45	<b>UE-DMXRJ45</b>				
Athena Wireless Node (120V)	<b>-AWN</b>				
Athena Wireless Node	<b>-AWN-OCC</b>				
Occupancy Sensor (120V)					
UniSense - Remotely Mounted Motion/Photosensor (120V)	<b>-SUN-RMT<sup>5</sup></b>				
UniSense - Remotely Mounted Motion/Photosensor	<b>-SUN-RMT-1227<sup>5</sup></b>				
Casambi Wireless Dimming	<b>-DCSM<sup>4</sup></b>				
BubblyNet Wireless System	<b>-DBNT<sup>4</sup></b>				
Lutron Vive Wireless Dimming Module	<b>-VIVE<sup>4</sup></b>				

<sup>1</sup> Housing must match corresponding Reflector in column to right.  
<sup>2</sup> All drivers are 120V/277V unless otherwise noted.  
<sup>3</sup> (UE-D10-EMA) must be ordered with Integral EM Switch Option (-EMA).  
<sup>4</sup> Special Order.  
<sup>5</sup> (-SUN-RMT) sensor sent with mounting clips for existing ceiling applications.

<sup>6</sup> (-347) not available for CH808IC.  
<sup>7</sup> Check Wiring Diagrams.  
<sup>8</sup> All EM/EMAC/EMAC347/GTD must have access above ceiling.  
<sup>9</sup> UE-D10-EMA is not compatible with -EM or -EMAC or -EMAC347 or -GTD.

### COMPATABILITY

**VR800**  
Outdoor Vandal Resistant Ceiling/Wall Kit



**P-CR872SW**  
Wall Wash for 8"

