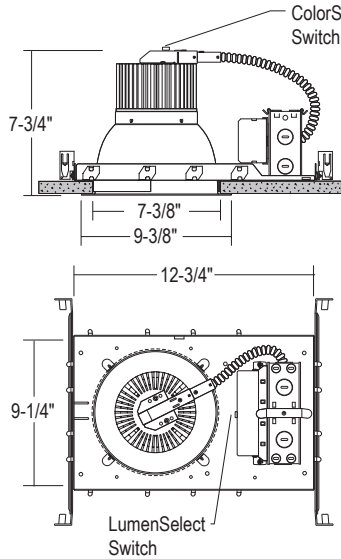


CH8LS : 8" C-SERIES

LUMEN/COLORSELECT NEW CONSTRUCTION 2000LM - 5300LM (17W-53W)



Ceiling Cut-Out: 7-15/16"
 Ceiling Thickness: 1" Max



- Three LumenSelect options up to 2900lm, 4800lm, or 5300lm
- ColorSelect 3000K, 3500K, 4000K (84CRI) switch
- Twist and lock reflector for quick access to LED lamp array
- Heavy-duty self-flanged reflector
- Soft even lumen distribution
- No visible screws or hardware

ORDERING : CH8LS2029UE-D10-EM/CR8L22SW-EMA-TS354

[Click for Full Specification Details](#)

CH8LSxxxx		Insulation Contact		Driver Options		Emergency Options		J-Box		Reflector		Reflector Finish		Reflector Options		ColorSelect		Options	
LumenSelect Housing		Insulation Contact		Driver Options		Emergency Options		J-Box		Reflector		Reflector Finish		Reflector Options		ColorSelect		Options	
LumenSelect Housing ¹				Reflector ¹		Reflector Finish		Reflector Option		ColorSelect		Options							
2000lm (17W)	CH8LS2029 [Options]			/CR8L22		Satin Haze Reflector/ White Ring		None		ColorSelect		None		Blank		-TS354		None	
2400lm (22W)						White Reflector/ White Ring		Integral EM Switch		3000K, 3500K, 4000K (84 CRI)		4.5" Ceiling Thickness		-EMA ²		-CT4			
2900lm (28W)						All Black													
3300lm (31W)	CH8LS3348 [Options]			/CR8L36		Clear Specular Reflector/White Ring													
4100lm (39W)						All Satin Haze													
4800lm (48W)																			
3800lm (35W)	CH8LS3853 [Options]			/CR8L40															
4600lm (45W)																			
5300lm (53W)																			

Options

Insulation Contact		Control		Emergency Options		J-Box	
Non-IC	Blank	0-10V Dimming (120V/277V)		UE-D10		None	Blank
IC Rated/ Airtight	ICA³	Athena Wireless Node (120V)		-AWN		10W Emergency Battery	-EM
		Athena Wireless Node Occupancy Sensor (120V)		-AWN-OCC		Full Power Emergency Inverter	-EMAC⁴
		UniSense - Remotely Mounted Motion/Photosensor (120V)		-SUN-RMT⁶		Full Power Emergency Inverter (347V)	-EMAC347⁴
		UniSense - Remotely Mounted Motion/Photosensor (120V/277V)		-SUN-RMT-1227⁶		GTD Device	-GTD
		Casambi Wireless Dimming (120V/277V)		-DCSM⁵			
		BubblyNet Wireless System (120V/277V)		-DBNT⁵			
		Lutron Vive Wireless Dimming Module (120V/277V)		-VIVE⁵			

¹ Housing must match corresponding Reflector in column to the right.
² Only available for EM Housings.
³ (ICA) is only available on 2000lm (17W), and 2400lm (22W). (CH8LS2029 2900lm (28W), CH8LS3348, and CH8LS3853 are Non-IC Rated.)
⁴ Check Wiring Diagrams.
⁵ Special Order.
⁶ (-SUN-RMT) Sensor sent with mounting clips for existing ceiling applications.

COMPATABILITY



VR800
 Round Vandal Resistant
 Ceiling/Wall Kit



P-CR872SW
 Wall Wash for 8"