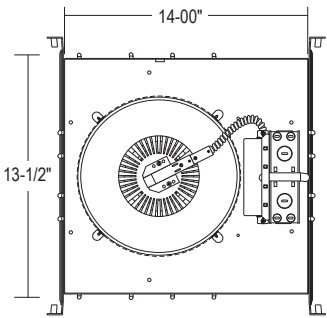
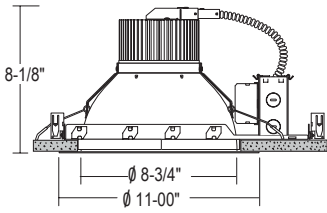
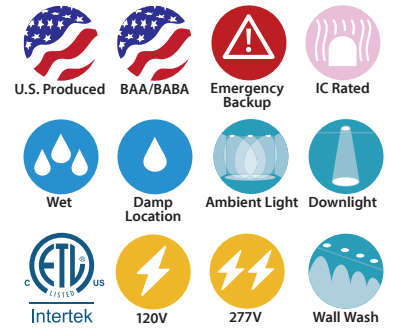


CH9-USA : 9"/10" C-SERIES

LED DOWNLIGHT NEW CONSTRUCTION 1600LM - 2600LM (10W-30W)



Ceiling Cut-Out: 9-1/4"
 Ceiling Thickness: 1" Max



- **Produced in USA**
- 10W Emergency Battery Option
- Twist and lock reflector for quick access to LED lamp array
- Heavy-duty self-flanged reflector
- Soft even lumen distribution
- No visible screws or hardware

ORDERING : CH9-USA08ICAUE-D10-EM-CHP-BWNG/CR9L22SW-EMA-T30 [Click for Full Specification Details](#)

CH9-USAxx

Housing	Insulation Contact	Control	Emergency Options	J-Box	Mounting	Reflector	Reflector Finish	Reflector Options	CCT	Options					
Housing ¹			Reflector ¹			Reflector Finish			Reflector Options			CCT		Options	
1600lm (10W)	CH9-USA08 [Options]		/CR9L22			Satin Haze Reflector/	SW	None	Blank	2700K (84 CRI)	-T27	None	Blank		
1900lm (15W)	CH9-USA10 [Options]		/CR9L22			White Finish		Integral EM	-EMA²	3000K (84 CRI)	-T30	4.5" Ceiling	-CT4		
2300lm (20W)	CH9-USA18 [Options]		/CR9L22			White Reflector/	WW	Switch		3500K (84 CRI)	-T35	Thickness			
2600lm (30W)	CH9-USA28 [Options]		/CR9L22			White Finish				4000K (84 CRI)	-T40				
						All Black	BB			5000K (84 CRI)	-T50				
						Clear Specular	CW								
						Reflector/White Finish									
						All Satin Haze	SS								

Options

Insulation Contact		Control		Emergency Options		J-Box		Mounting	
Non-IC	Blank	Non-Dimming (120V)	Blank	None	Blank	None	Blank	24" Adjustable	Blank
ICA Rated	ICA⁴	TRIAC/ELV Dimming (120V)	-DIN	10W Emergency	-EM	Junction Box	-CHP	Architectural	-BWN³
		0-10V Dimming (120V/277V)	UE-D10	Battery		(Chicago Plenum)		C-Channel	

¹ Housing must match corresponding Reflector in column to right.
² Only available for EM Housings.
³ (-BWNG) option does **NOT** include Hanger Bars. Hanger Bars ordered separately.
⁴ (ICA) is only available for CH9-USA08, CH9-USA10 and CH9-USA18. (CH9-USA28 are Non-IC Rated.)

2026.02.04