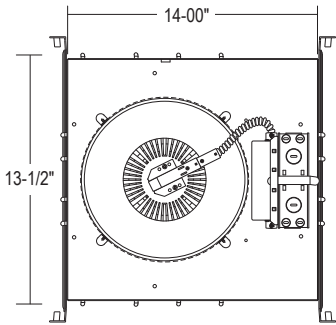
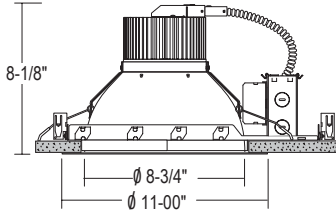
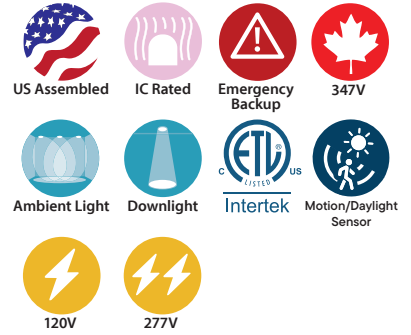


## CH9C : 9"/10" C-SERIES

(COB) CHIP ON BOARD BEAM CONTROL LED, NEW CONSTRUCTION  
 1000LM - 4000LM (10W-40W)



Ceiling Cut-Out: 9-1/4"  
 Ceiling Thickness: 1" Max



- Assorted dimming options.
- COB LED design allows for concentrated high CBCP beam
- Multiple Beam Spreads for flexible beam control
- Quick connector power adapter and twist-and-lock reflector for quick access and easy maintenance

### ORDERING : CH9C10UE-D10-EM/CR9LC40SW-B30-T27

[Click for Full Specification Details](#)

#### CH9C10

Housing	Insulation Contact	Control	Emergency Options	J-Box	Reflector Finish	Beam Spread	CCT	Options
Housing		Emergency Options		Beam Spread				
1000lm (10W)	<b>CH9C10</b>	None	<b>Blank</b>	20° Spot	<b>-B20</b>			
1500lm (15W)	<b>CH9C15</b>	10W Emergency Battery	<b>-EM</b>	30° Narrow Flood	<b>-B30</b>			
2000lm (20W)	<b>CH9C20</b>	Full Power	<b>-EMAC<sup>4</sup></b>	40° Wide Flood	<b>-B40</b>			
2800lm (30W)	<b>CH9C30</b>	Emergency Inverter	<b>-EMAC<sup>4</sup></b>	60° Wide Flood	<b>-B60</b>			
4000lm (40W)	<b>CH9C40</b>	Full Power	<b>-EMAC<sup>4</sup></b>	75° Very Wide Flood	<b>-B75</b>			
Insulation Contact		GTD Device		CCT				
Non-IC	<b>Blank</b>	<b>-GTD</b>		2700K (90 CRI)	<b>-T27</b>			
IC Rated/Airtight	<b>ICA<sup>5</sup></b>	J-Box		2700K (97 CRI)	<b>-T27-C97</b>			
Control <sup>1</sup>		None		3000K (90 CRI)	<b>-T30</b>			
0-10V Dimming	<b>UE-D10</b>	Junction Box (Chicago Plenum)		3000K (97 CRI)	<b>-T30-C97</b>			
UniDim™ 0-10V, TRIAC/ELV Dimming	<b>UE-DUN</b>	Reflector Finish		3500K (90 CRI)	<b>-T35</b>			
TRIAC/ELV Dimming (120V)	<b>-DIN</b>	Satin Haze Reflector/ White Finish		4000K (90 CRI)	<b>-T40</b>			
Lutron Hi-Lume	<b>UE-DHL</b>	White Reflector/ White Finish		5000K (80 CRI)	<b>-T50</b>			
Lutron EcoSystem	<b>UE-ECO</b>	All Black		Options				
0-10V Dimming (347V)	<b>-347-D10<sup>2</sup></b>	Clear Specular Reflector/White Finish		None	<b>Blank</b>			
1%, 0-10V Dimming	<b>UE-D10P1</b>	All Satin Haze		4.5" Ceiling Thickness	<b>-CT4</b>			
DMX Dimming with input via XLR5	<b>UE-DMXLR5</b>							
DMX Dimming with input via RJ45	<b>UE-DMXRJ45</b>							
Athena Wireless Node (120V)	<b>-AWN</b>							
Athena Wireless Node	<b>-AWN-OCC</b>							
Occupancy Sensor (120V)								
UniSense - Remotely Mounted Motion/Photosensor (120V)	<b>-SUN-RMT<sup>8</sup></b>							
UniSense - Remotely Mounted Motion/Photosensor	<b>-SUN-RMT-1227<sup>8</sup></b>							
Casambi Wireless Dimming	<b>-DCSM<sup>7</sup></b>							
BubblyNet Wireless System	<b>-DBNT<sup>7</sup></b>							
Lutron Vive Wireless Dimming Module	<b>-VIVE<sup>7</sup></b>							

<sup>1</sup> All drivers are 120V/277V unless otherwise noted.

<sup>2</sup> -347-D10 is not available for CH9C10.

<sup>3</sup> Clear finish reflector not recommended for placing close to vertical surfaces. Uneven striations may be visible.

<sup>4</sup> Check wiring diagrams.

<sup>5</sup> ICA is only available for CH9C10, CH9C15, CH9C20, and CH9C30. (CH9C40 are Non-IC rated.)

<sup>7</sup> Special Order.

<sup>8</sup> (-SUN-RMT) Sensor sent with mounting clips for existing ceiling applications.