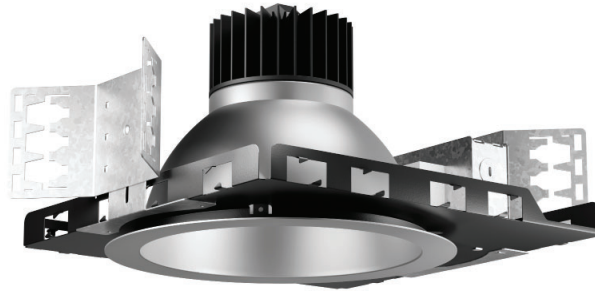
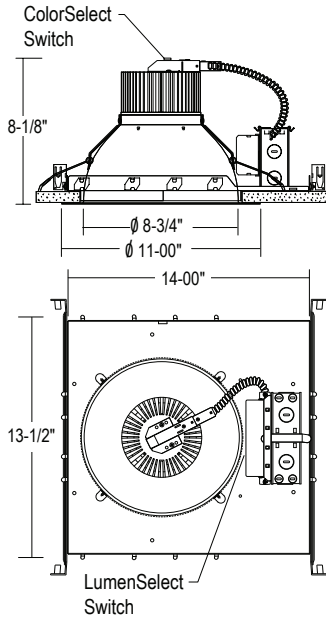


CH9LS : 9 -10" C-SERIES

LUMEN/COLORSELECT NEW CONSTRUCTION 2000LM - 5300LM (17W-53W)



Ceiling Cut-Out: 9-1/4"
 Ceiling Thickness: 2-1/2" Max



- Three LumenSelect options up to 2900lm, 4800lm, or 5300lm
- ColorSelect 3000K, 3500K, 4000K (84CRI) switch
- Twist and lock reflector for quick access to LED lamp array
- Heavy-duty self-flanged reflector
- Soft even lumen distribution
- No visible screws or hardware

ORDERING : CH9LS2029UE-D10-EM/CR9L22SW-EMA-TS354

[Click for Full Specification Details](#)

CH9LSxxxx		Insulation Contact	Control	Emergency Options	J-Box	Reflector	Reflector Finish	Reflector Options	ColorSelect	Options	
LumenSelect Housing	LumenSelect Housing ¹		Reflector ¹	Reflector Finish		Reflector Option		ColorSelect		Options	
2000lm (17W)	CH9LS2029 [Options]		/CR9L22	Satin Haze Reflector/ White Ring	SW	None	Blank	ColorSelect	-TS354	None	Blank
2400lm (22W)				White Reflector/ White Ring	WW	Integral EM Switch	-EMA²	3000K, 3500K, 4000K (84 CRI)		4.5" Ceiling Thickness	-CT4
2900lm (28W)				All Black	BB						
3300lm (31W)	CH9LS3348 [Options]		/CR9L36	Clear Specular Reflector/White Ring	CW						
4100lm (39W)				All Satin Haze	SS						
4800lm (48W)											
3800lm (35W)	CH9LS3853 [Options]		/CR9L40								
4600lm (45W)											
5300lm (53W)											

Options

Insulation Contact	Control	Emergency Options	J-Box
Non-IC Blank	0-10V Dimming (120V/277V) UE-D10	None Blank	None Blank
IC Rated/ Airtight ICA³	Athena Wireless Node (120V) -AWN	10W Emergency Battery -EM	Junction Box (Chicago Plenum) -CHP
	Athena Wireless Node Occupancy Sensor (120V) -AWN-OCC	Full Power Emergency Inverter -EMAC⁴	
	UniSense - Remotely Mounted Motion/Photosensor (120V) -SUN-RMT⁶	Full Power Emergency Inverter (347V) -EMAC347⁴	
	UniSense - Remotely Mounted Motion/Photosensor (120V/277V) -SUN-RMT-1227⁶	GTD Device -GTD	
	Casambi Wireless Dimming (120V/277V) -DCSM⁵		
	BubblyNet Wireless System (120V/277V) -DBNT⁵		
	Lutron Vive Wireless Dimming Module (120V/277V) -VIVE⁵		

¹ Housing must match corresponding Reflector in column to the right.
² Only available for EM Housings.
³ (ICA) is only available on 2000lm (17W), and 2400lm (22W). (CH9LS2029 2900lm (28W), CH9LS3348, and CH9LS3853 are Non-IC Rated.)
⁴ Check Wiring Diagrams.
⁵ Special Order.
⁶ (-SUN-RMT) Sensor sent with mounting clips for existing ceiling applications.

2025.11.07