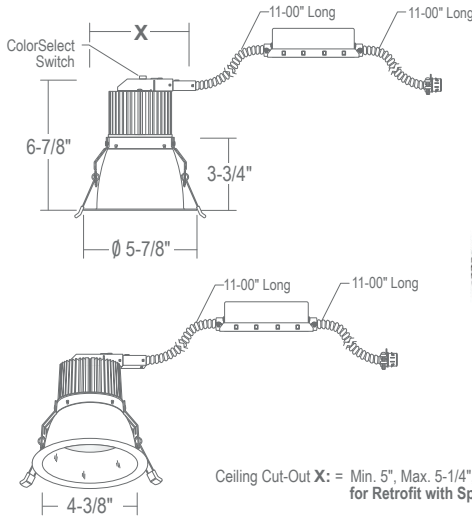


## CRTR4L-USA : 4" C-SERIES

LED DOWNLIGHT RETROFIT/REMODEL 1000LM - 3500LM (8W-30W)



- **Produced in USA**
- New junction box option for remodels without frames
- Twist and lock reflector for quick access to LED lamp array
- Heavy-duty self-flanged reflector
- No visible screws or hardware

### ORDERING : CRTR4L-USA18SWUE-D10-T30

[Click for Full Specification Details](#)

CRTR4L-USA		Insulation Contact	Reflector Finish	Control	Emergency Options	CCT	J-Box	Options
Fixture/Lumens	Insulation Contact	Reflector Finish	Control	Emergency Options	CCT	J-Box	Options	
Fixture/Lumens		Reflector Finish	Emergency Options	J-Box				
1000lm (08W)	<b>CRTR4L-USA08</b>	Satin Haze Reflector/ White Ring	None	Blank	None	Blank		
1800lm (18W)	<b>CRTR4L-USA10</b>	White Reflector/ White Ring	10W Emergency Battery	-EM	Junction Box	-JB		
2300lm (22W)	<b>CRTR4L-USA17</b>	All Black			Junction Box (Chicago Plenum)	-JB-CHP		
2700lm (28W)	<b>CRTR4L-USA18</b>	Clear Specular Reflector/White Ring						
3000lm (28W)	<b>CRTR4L-USA30</b>	All Satin Haze						
3500lm (30W)	<b>CRTR4L-USA31</b>							
	Insulation Contact	Control <sup>1</sup>	CCT	Options				
Non-IC	<b>Blank</b>	Non-Dimming (120V)	2700K (84 CRI)	None	None	Blank		
ICA Rated/Airtight	<b>ICA<sup>2</sup></b>	TRIAC/ELV Dimming (120V)	3000K (84 CRI)	-DIN	4.5" Ceiling Thickness	-CT4		
		0-10V Dimming (120V/277V)	3500K (84 CRI)	<b>UE-D10</b>				
			4000K (84 CRI)					
			5000K (84 CRI)					

<sup>1</sup> All drivers are 120V/277V unless otherwise noted.  
<sup>2</sup> (ICA) is only available on CRTR4L-USA08, CRTR4L-USA10 and CRTR4L-USA17. (CRTR4L-USA18, CRTR4L-USA30 and CRTR4L-USA31 are Non-IC rated.)  
<sup>3</sup> (-347-D10) not available for CRTR4L-USA08.  
<sup>4</sup> UE-D10-EMA is not compatible with -EM or -EMAC or -GTD

### COMPATABILITY

**P-CR471**  
Wall Wash for 4"



**VR800**  
Outdoor Vandal Resistant  
Ceiling/Wall Kit

