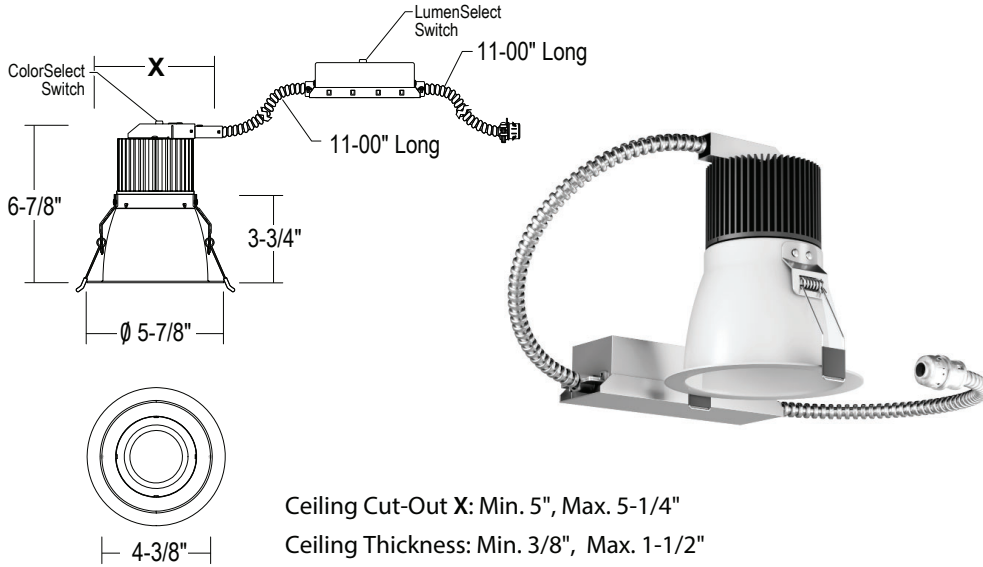
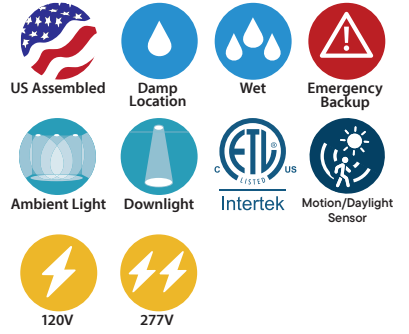


CRTR4LS : 4" C-SERIES

LUMEN/COLORSELECT RETROFIT/REMODEL 1800LM - 2700LM (18W-28W)



Ceiling Cut-Out X: Min. 5", Max. 5-1/4"
 Ceiling Thickness: Min. 3/8", Max. 1-1/2"



- LumenSelect switch with 1800lm, 2300lm, or 2700lm setting
- ColorSelect 3000K, 3500K, 4000K (84CRI) switch
- New junction box option for remodels without frames
- Twist and lock reflector for quick access to LED lamp array
- Heavy-duty self-flanged reflector
- No visible screws or hardware

ORDERING : CRTR4LS1827SWUE-D10-TS354

[Click for Full Specification Details](#)

CRTR4LS1827

LumenSelect Reflector	Insulation Contact	Reflector Finish	Control	Emergency Options	ColorSelect	Junction Box	Options
LumenSelect Reflector	Insulation Contact	Reflector Finish	Control ¹	Emergency Options	ColorSelect	Junction Box	Options
1800lm (18W) CRTR4LS1827	Non-IC Blank	Satin Haze Reflector/ White Ring SW	0-10V Dimming UE-D10	None	ColorSelect Blank	None	None Blank
2300lm (22W)	IC Rated/ Airtight ICA²	White Reflector/ White Ring WW	Athena Wireless Node (120V) -AWN	10W Emergency Battery	-EM	Junction Box	Junction Box -JB
2700lm (28W)	Reflector Finish	All Black BB	Athena Wireless Node Occupancy Sensor (120V) -AWN-OCC	Full Power Emergency Inverter	-EMAC³	Junction Box (Chicago Plenum)	Junction Box -JB-CHP
Insulation Contact	Reflector Finish	Clear Specular Reflector/White Ring CW	UniSense - Remotely Mounted Motion/ Photosensor (120V) -SUN-RMT⁵	Full Power Emergency Inverter (347V)	-EMAC347³	Options	Options
Non-IC Blank	Reflector Finish	All Satin Haze SS	UniSense - Remotely Mounted Motion/ Photosensor -SUN-RMT-1227⁵	GTD Device	-GTD	None	None Blank
IC Rated/ Airtight ICA²	Reflector Finish		Casambi Wireless Dimming -DCSM⁴			4.5" Ceiling Thickness	4.5" Ceiling Thickness -CT4
Reflector Finish	Reflector Finish		BubblyNet Wireless System -DBNT⁴	ColorSelect			
Satin Haze Reflector/ White Ring SW	Reflector Finish		Lutron Vive Wireless Dimming Module -VIVE⁴	ColorSelect 3000K, 3500K, 4000K (84CRI) -TS354			
White Reflector/ White Ring WW	Reflector Finish						
All Black BB	Reflector Finish						
Clear Specular Reflector/White Ring CW	Reflector Finish						
All Satin Haze SS	Reflector Finish						

¹ All drivers are 120V/277V unless otherwise noted.
² (ICA) is only available on 1800lm (18W), and 2300lm (22W). (2700lm (28W) are Non-IC Rated.)
³ Check Wiring Diagrams.
⁴ Special Order.
⁵ (-SUN-RMT) sensor sent with mounting clips for existing ceiling applications.

COMPATABILITY

