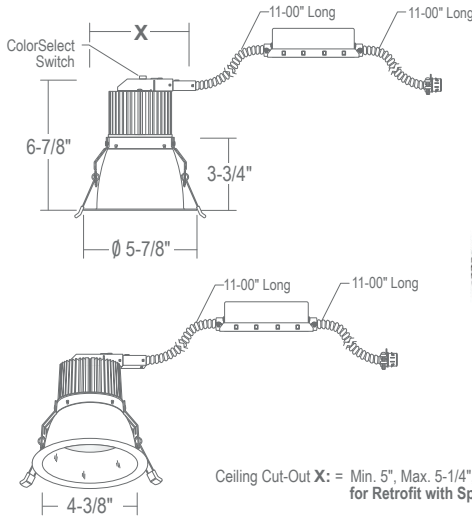


CRTR4L : 4" C-SERIES

LED DOWNLIGHT RETROFIT/REMODEL 1000LM - 3500LM (8W-30W)



- New junction box option for remodels without frames
- Twist and lock reflector for quick access to LED lamp array
- Heavy-duty self-flanged reflector
- No visible screws or hardware

ORDERING : CRTR4L18SWUE-D10-T30



[Click for Full Specification Details](#)

CRTR4L		Insulation Contact	Reflector Finish	Control	Emergency Options	CCT	J-Box	Options
Fixture/Lumens	Insulation Contact	Reflector Finish	Control	Emergency Options	CCT	J-Box	Options	Options
1000lm (08W)	CRTR4L08	Non-IC	0-10V Dimming	UE-D10	None	Blank	None	Blank
1800lm (18W)	CRTR4L10	ICA Rated/Airtight	UniDim™ 0-10V, TRIAC/ELV Dimming	UE-DUN	10W Emergency Battery	-EM	Junction Box	-JB
2300lm (22W)	CRTR4L17		TRIAC/ELV Dimming (120V)	-DIN	Full Power Emergency Inverter	-EMAC²	Junction Box (Chicago Plenum)	-JB-CHP
2700lm (28W)	CRTR4L18		Lutron Hi-Lume	UE-DHL	Full Power Emergency Inverter (347V)	-EMAC347²		
3000lm (28W)	CRTR4L30		Lutron EcoSystem	UE-ECO	GTD Device	-GTD		
3500lm (30W)	CRTR4L31		0-10V Dimming (347V)	-347-D10⁶				
			1%, 0-10V Dimming	UE-D10P1				
			Dali Dimming	UE-DLI				
			0-10V Dimming with 10W Integral Emergency Battery Backup	UE-D10-EMA⁷				
			DMX Dimming with input via XLR5 (120V/277V)	UE-DMXLR5	2700K (84 CRI)	-T27		
			DMX Dimming with input via RJ45 (120V/277V)	UE-DMXRJ45	3000K (84 CRI)	-T30		
			Athena Wireless Node (120V)	-AWN	3500K (84 CRI)	-T35		
			Athena Wireless Node	-AWN-OCC	4000K (84 CRI)	-T40		
			Occupancy Sensor (120V)	-SUN-RMT⁴	5000K (84 CRI)	-T50		
			UniSense - Remotely Mounted Motion/Photosensor (120V)	-SUN-RMT-1227⁴				
			UniSense - Remotely Mounted Motion/Photosensor	-DCSM³				
			Casambi Wireless Dimming	-DBNT³				
			BubblyNet Wireless System	-VIVE³				
			Lutron Vive Wireless Dimming Module					

¹ All drivers are 120V/277V unless otherwise noted.

² Check wiring diagram.

³ Special Order.

⁴ (-SUN-RMT) sensor sent with mounting clips for existing ceiling applications.

⁵ (ICA) is only available on CRTR4L08, CRTR4L10 and CRTR4L17. (CRTR4L18, CRTR4L30 and CRTR4L31 are Non-IC rated.)

⁶ (-347-D10) not available for CRTR4L08.

⁷ UE-D10-EMA is not compatible with -EM or -EMAC or -GTD

COMPATABILITY

P-CR471

Wall Wash for 4"



VR800

Outdoor Vandal Resistant Ceiling/Wall Kit

