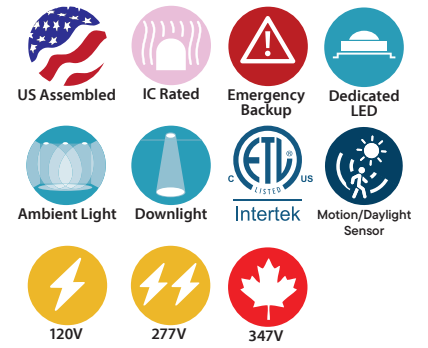
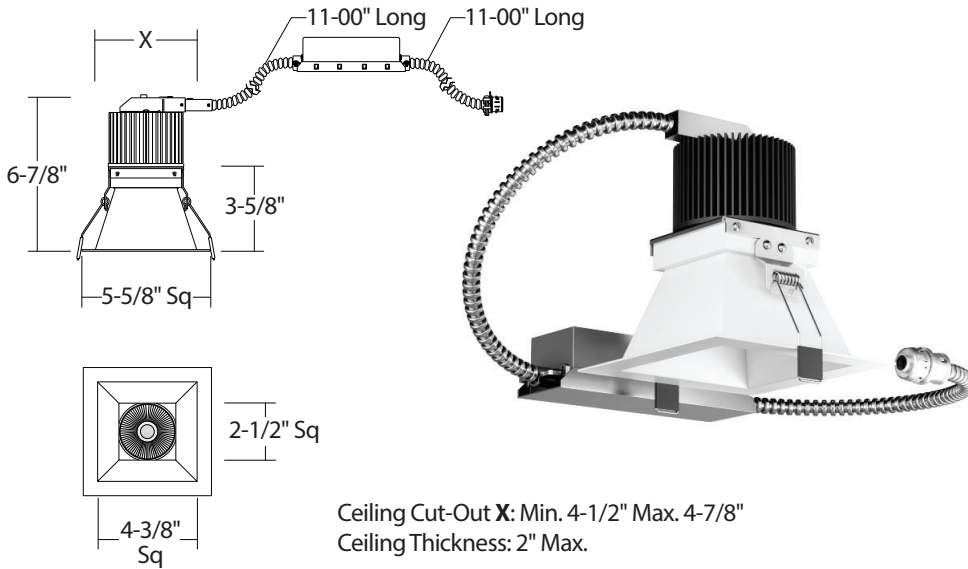


CRTR4QLC : 4" C-SERIES

(COB) CHIP ON BOARD BEAM CONTROL SQUARE LED,
 RETROFIT/REMODEL 1000LM - 2500LM (10W-30W)



- Heavy-duty seamless die-cast reflector
- Assortment of dimming options
- COB LED design for concentrated high CBCP beam
- Multiple beam spreads for flexible beam control
- Twist and lock reflector for quick access to LED lamp array

ORDERING : CRTR4QLC10SW-B40-T27UE-D10-JB-CHP

[Click for Full Specification Details](#)

CRTR4QLC		Insulation Contact	Reflector Finish	Beam Spread	CCT	Control	Emergency Options	J-Box
Fixture/Lumens								
1000lm (10W)	CRTR4QLC10			-B15	0-10V Dimming	UE-D10	None	Blank
1400lm (15W)	CRTR4QLC15			-B25	UniDim™ 0-10V, TRIAC/ELV Dimming	UE-DUN	10W Emergency Battery	-EM
1900lm (20W)	CRTR4QLC19			-B40	TRIAC/ELV Dimming (120V)	-DIN	Full Power Emergency Inverter	-EMAC⁵
2500lm (30W)	CRTR4QLC25			-B60	Lutron Hi-Lume	UE-DHL	Full Power Emergency Inverter (347V)	-EMAC347⁵
				-B75	0-10V Dimming (347V)	-347-D10²	GTD Device	-GTD
					1%, 0-10V Dimming	UE-D10P1		
					0-10V Dimming with 10W Integral Emergency Battery Backup	UE-D10-EMA⁴		
					DMX Dimming with input via XLR5 (120V/277V)	UE-DMXLR5	J-Box	
					DMX Dimming with input via RJ45 (120V/277V)	UE-DMXRJ45	None	Blank
					0%, DMX Dimming	-DMX	Junction Box	-JB
					Athena Wireless Node (120V)	-AWN	Junction Box (Chicago Plenum)	-JB-CHP
					Athena Wireless Node Occupancy Sensor (120V)	-AWN-OCC		
					UniSense - Remotely Mounted Motion/Photosensor (120V)	-SUN-RMT⁷		
					UniSense - Remotely Mounted Motion/Photosensor	-SUN-RMT-1227⁷		
					Casambi Wireless Dimming	-DCSM⁶		
					BubblyNet Wireless System	-DBNT⁶		
					Lutron Vive Wireless Dimming Module	-VIVE⁶		

¹ All drivers are 120V/277V unless otherwise noted.

² -347-D10 is not available for CRTR4QLC10.

³ (ICA) is only available for CRTR4QLC10, CRTR4QLC15, and CRTR4QLC19. (CRTR4QLC25 are Non-IC rated.)

⁴ UE-D10-EMA is not compatible with -EM or -EMAC or -EMAC347 or -GTD

⁵ Check Wiring Diagrams.

⁶ Special Order.

⁷ (-SUN-RMT) sensor sent with mounting clips for existing ceiling applications.