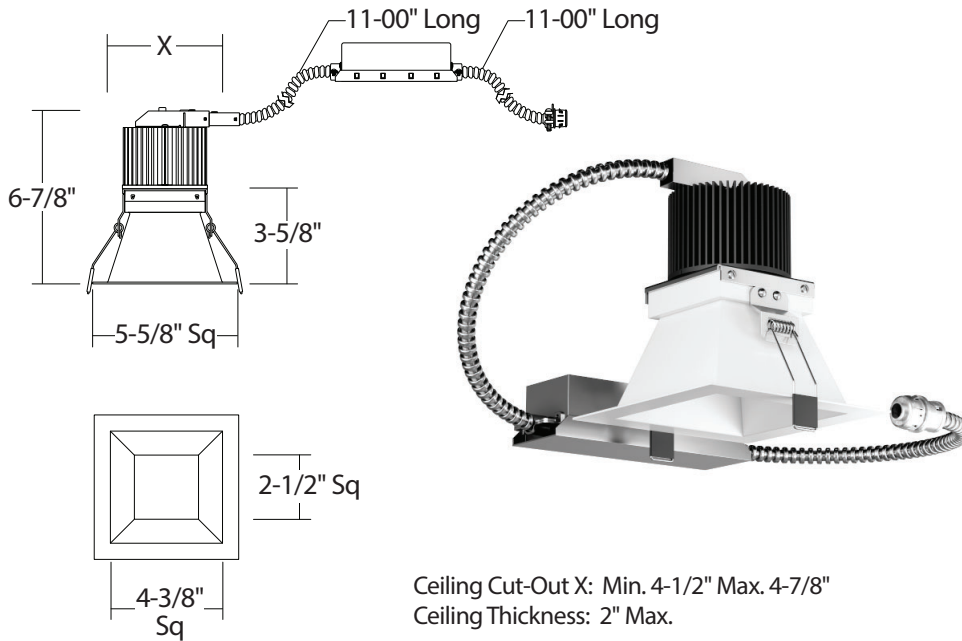
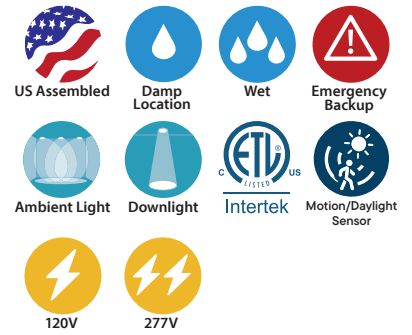


CRTR4QLS : 4" C-SERIES

SQUARE LUMEN/COLORSELECT RETROFIT/REMODEL
 1100LM - 1600LM (18W-28W)



Ceiling Cut-Out X: Min. 4-1/2" Max. 4-7/8"
 Ceiling Thickness: 2" Max.

- LumenSelect switch with 1100lm, 1400lm, or 1600lm setting
- ColorSelect 3000K, 3500K, 4000K (84CRI) switch
- Twist and lock reflector for quick access to LED lamp array
- Heavy-duty seamless die-cast reflector
- Soft even lumen distribution
- No visible screws or hardware

ORDERING : CRTR4QLS1116SWUE-D10-TS354

[Click for Full Specification Details](#)

CRTR4QLS1116

LumenSelect Reflector	Insulation Contact	Reflector Finish	Control	Emergency Options	ColorSelect	Junction Box
Fixture/Lumens 1100lm (18W) CRTR4QLS1116 1400lm (22W) 1600lm (28W)	Insulation Contact Non-IC Blank IC Rated/ Airtight ICA²	Reflector Finish Satin Haze Reflector/ White Ring SW White Reflector/ White Ring WW All Black BB All Satin Haze SS	Control ¹ 0-10V Dimming UE-D10 Athena Wireless Node (120V) -AWN Athena Wireless Node Occupancy Sensor (120V) -AWN-OCC UniSense - Remotely Mounted Motion/ Photosensor (120V) -SUN-RMT⁵ UniSense - Remotely Mounted Motion/ Photosensor -SUN-RMT-1227⁵ Casambi Wireless Dimming -DCSM⁴ BubbyNet Wireless System -DBNT⁴ Lutron Vive Wireless Dimming Module -VIVE⁴	Emergency Options None Blank 10W Emergency Battery -EM Full Power Emergency Inverter -EMAC³ Full Power Emergency Inverter (347V) -EMAC347³ GTD Device -GTD	ColorSelect ColorSelect 3000K, 3500K, 4000K (84CRI) -TS354	Junction Box None Blank Junction Box -JB Junction Box (Chicago Plenum) -JB-CHP

¹ All drivers are 120V/277V unless otherwise noted.
² (ICA) is only available on 1100lm (18W), and 1400lm (22W). (1600lm (28W) are Non-IC Rated.)
³ Check Wiring Diagrams.
⁴ Special Order.
⁵ (-SUN-RMT) sensor sent with mounting clips for existing ceiling applications.