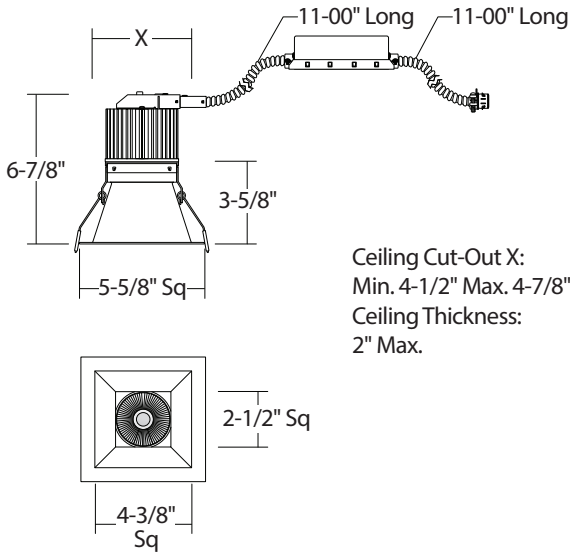
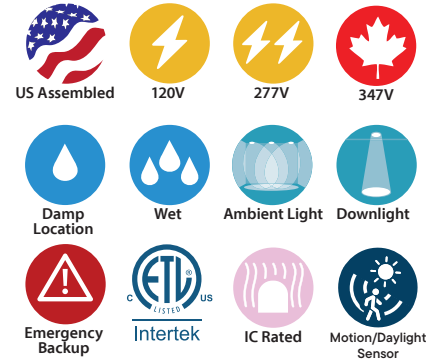


CRTR4QL : 4" C-SERIES

SQUARE LED DOWNLIGHT RETROFIT/REMODEL 800LM - 2600LM (10W-30W)



Ceiling Cut-Out X:
 Min. 4-1/2" Max. 4-7/8"
 Ceiling Thickness:
 2" Max.



- Wide catalogue of lumen and dimming options
- Standard with 0-10V Dimming
- Twist and lock reflector for quick access to LED lamp array.
- Heavy-duty seamless die-cast reflector
- Soft even lumen distribution
- No visible screws or hardware
- New Lutron Athena Options Available

ORDERING : CRTR4L18SWUE-D10-T30

[Click for Full Specification Details](#)

CRTR4QL						
Fixture/Lumens	Insulation Contact	Reflector Finish	Control	Emergency Options	Color Temperature	J-Box
Fixture/Lumens			Control ¹	Emergency Options		J-Box
800lm (10W) CRTR4QL08			0-10V Dimming	None	Blank	None
1300lm (18W) CRTR4QL10			UniDim™ 0-10V, TRIAC/ELV Dimming	10W Emergency Battery	-EM	None
1600lm (22W) CRTR4QL17			TRIAC/ELV Dimming (120V)	Full Power Emergency Inverter	-EMAC⁷	Junction Box
1800lm (28W) CRTR4QL18			Lutron Hi-Lume	Full Power Emergency Inverter (347V)	-EMAC347⁷	Junction Box (Chicago Plenum)
2200lm (25W) CRTR4QL30			Lutron EcoSystem	GTD Device	-GTD	
2600lm (30W) CRTR4QL31			0-10V Dimming (347V)			
			1%, 0-10V Dimming			
			0-10V Dimming with 10W Integral Emergency Battery Backup			
Insulation Contact			Dali Dimming	Color Temperature		
Non-IC	Blank		DMX Dimming with input via XLR5 (120V/277V)	2700K (84CRI)	-T27	
ICA Rated/Airtight	ICA²		DMX Dimming with input via RJ45 (120V/277V)	3000K (84 CRI)	-T30	
			Athena Wireless Node (120V)	3500K (84 CRI)	-T35	
Reflector Finish			Athena Wireless Node	4000K (84 CRI)	-T40	
Satin Haze Reflector/White Ring	SW		Occupancy Sensor (120V)	5000K (84 CRI)	-T50⁵	
White Reflector/White Ring	WW		UniSense - Remotely Mounted Motion/Photosensor (120V)			
All Black	BB		UniSense - Remotely Mounted Motion/Photosensor			
All Satin Haze	SS		Casambi Wireless Dimming			
			BubblyNet Wireless System			
			Lutron Vive Wireless Dimming Module			

¹ All drivers are 120V/277V unless otherwise noted.
² (ICA) is only available on CRTR4QL08, CRTR4QL10 and CRTR4QL17. (CRTR4QL18, CRTR4QL30 and CRTR4QL31 are Non-IC rated.)
³ (-347-D10) not available for CRTR4QL08.
⁴ Special Order. Minimum order quantity (MOQ), extended lead time may apply. Consult Factory.
⁵ (-T50) not available for CRTR4QL30 and CRTR4QL31.
⁶ (-SUN-RMT) sensor sent with mounting clips for existing ceiling applications.
⁷ Check wiring diagram.
⁸ UE-D10-EMA is not compatible with -EM or -EMAC or EMAC347 or -GTD

Custom RAL Color: Please note that we appreciate custom finishes. Custom finishes are subject to special paint setup fee for the quantity ordered. Extended lead times may apply. Consult Factory.

2025.11.21