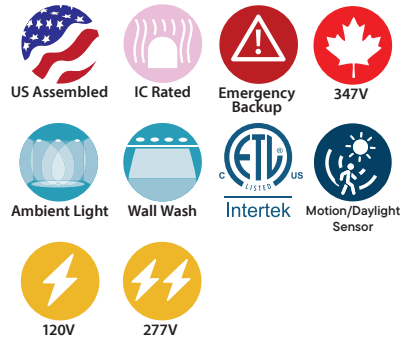
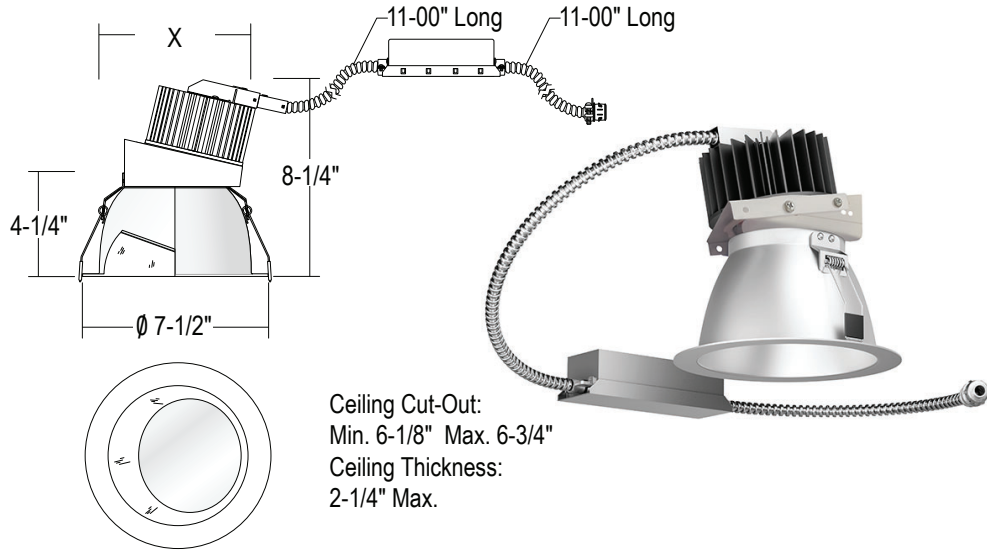


| CRTR672LC : 6" C-SERIES

WALL WASH LED, RETROFIT/REMODEL 1000LM - 4000LM (10W-44W)



- Quick connector power adapter and twist-and-lock reflector for quick access and easy maintenance
- Heavy-duty springs and self-flanged reflector
- Several lumen packages with soft even illumination
- No visible screws or hardware

ORDERING : CRTR672LC10SW-T27UE-D10-JB-CHP

[Click for Full Specification Details](#)

CRTR672LC		Reflector Finish	CCT	Control	Emergency Options	J-Box	Options
Fixture/Lumens	Insulation Contact						
1000lm (10W)	CRTR672LC10	Satin Haze Reflector/ White Ring	SW	0-10V Dimming UniDim™ 0-10V, TRIAC/ELV Dimming	UE-D10 UE-DUN	None	Blank
1500lm (15W)	CRTR672LC13	White Reflector/ White Ring	WW	TRIAC/ELV Dimming (120V)	-DIN	10W Emergency Battery	-EM
2100lm (20W)	CRTR672LC20	All Black	BB	Lutron Hi-Lume	UE-DHL	Full Power Emergency Inverter	-EMAC⁶
2800lm (30W)	CRTR672LC26	All Satin Haze	SS	0-10V Dimming (347V)	-347-D10²	Full Power Emergency Inverter (347V)	-EMAC347⁶
4000lm (44W)	CRTR672LC35			1%, 0-10V Dimming	UE-D10P1	GTD Device	-GTD
				0-10V Dimming with 10W Integral Emergency Battery Backup	UE-D10-EMA⁷		
Insulation Contact	CCT			DMX Dimming with input via XLR5	UE-DMXLR5	J-Box	
Non-IC	Blank	2700K (90 CRI)	-T27	DMX Dimming with input via RJ45	UE-DMXRJ45	None	Blank
ICA Rated	ICA³	2700K (97 CRI)	-T27-C97	0%, DMX Dimming	-DMX	Junction Box	-JB
Airtight		3000K (90 CRI)	-T30	Athena Wireless Node (120V)	-AWN	Junction Box (Chicago Plenum)	-JB-CHP
		3000K (97 CRI)	-T30-C97	Athena Wireless Node Occupancy Sensor (120V)	-AWN-OCC		
		3500K (90 CRI)	-T35	UniSense - Remotely Mounted Motion/Photosensor (120V)	-SUN-RMT⁵	Options	
		4000K (90 CRI)	-T40	UniSense - Remotely Mounted Motion/Photosensor	-SUN-RMT-1227⁵	None	Blank
		5000K (80 CRI)	-T50	Casambi Wireless Dimming	-DCSM⁴	4.5" Ceiling Thickness	-CT4
				BubblyNet Wireless System	-DBNT⁴		
				Lutron Vive Wireless Dimming Module	-VIVE⁴		

¹ All drivers are 120V/277V unless otherwise noted.
² -347-D10 is not available for CRTR672LC10.
³ ICA is only available for CRTR672LC10, CRTR672LC13, and CRTR672LC20. (CRTR672LC26 and CRTR672LC35 are Non-IC rated.)
⁴ Special Order.
⁵ (-SUN-RMT) sensor sent with mounting clips for existing ceiling applications.
⁶ Check Wiring Diagrams.
⁷ UE-D10-EMA is not compatible with -EM or -EMAC or -EMAC347 or -GTD.

2025.12.03