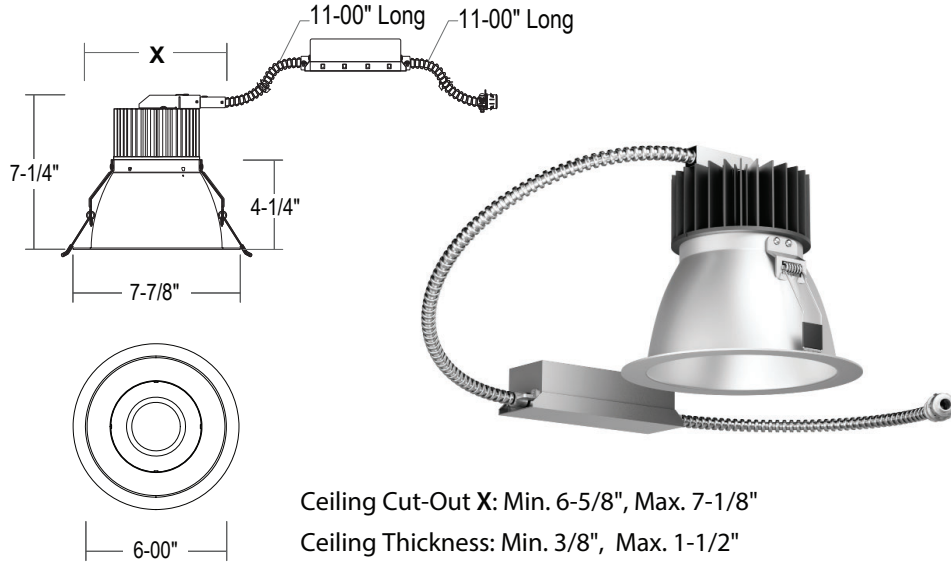
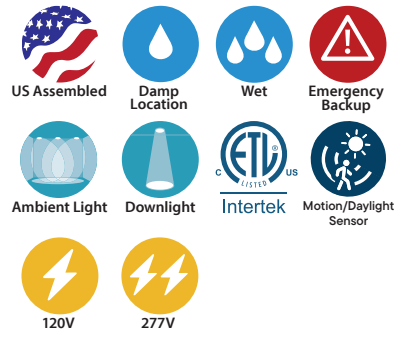


## CRTR6LS : 6" C-SERIES

LUMEN/COLORSELECT RETROFIT/REMODEL 1900LM - 4900LM (17W-55W)



Ceiling Cut-Out X: Min. 6-5/8", Max. 7-1/8"  
 Ceiling Thickness: Min. 3/8", Max. 1-1/2"



- Three LumenSelect options up to 2800lm, 4500lm, or 4900lm
- ColorSelect 3000K, 3500K, 4000K (84CRI) switch
- New junction box option for remodels without frames
- Twist and lock reflector for quick access to LED lamp array
- Heavy-duty self-flanged reflector
- No visible screws or hardware

### ORDERING : CRTR6LS1928SWUE-D10-TS354

[Click for Full Specification Details](#)

CRTR6LSxxxx		Insulation Contact	Reflector Finish	Control	Emergency Options	ColorSelect	Junction Box	Options
LumenSelect Reflector								
LumenSelect Reflector			Reflector Finish	Control <sup>1</sup>			Emergency Options	
1900lm (17W)	<b>CRTR6LS1928</b>		Satin Haze Reflector/ White Ring	<b>SW</b> 0-10V Dimming		<b>UE-D10</b>	None	<b>Blank</b>
2300lm (22W)			White Reflector/ White Ring	<b>WW</b> Athena Wireless Node (120V)	<b>-AWN</b>		10W Emergency Battery	<b>-EM</b>
2800lm (28W)			All Black	<b>BB</b> Athena Wireless Node	<b>-AWN-OCC</b>		Full Power Emergency Inverter	<b>-EMAC<sup>3</sup></b>
3100lm (30W)	<b>CRTR6LS3145</b>		Clear Specular Reflector/White Ring	<b>CW</b> UniSense - Remotely Mounted Motion/ Photosensor (120V)	<b>-SUN-RMT<sup>5</sup></b>		Full Power Emergency Inverter (347V)	<b>-EMAC347<sup>3</sup></b>
3800lm (38W)			All Satin Haze	<b>SS</b> UniSense - Remotely Mounted Motion/ Photosensor	<b>-SUN-RMT-1227<sup>5</sup></b>		GTD Device	<b>-GTD</b>
4500lm (48W)				Casambi Wireless Dimming	<b>-DCSM<sup>4</sup></b>		ColorSelect	
3600lm (35W)	<b>CRTR6LS3649</b>			BubblyNet Wireless System	<b>-DBNT<sup>4</sup></b>		ColorSelect 3000K, 3500K, 4000K (84CRI)	<b>-TS354</b>
4200lm (45W)				Lutron Vive Wireless Dimming Module	<b>-VIVE<sup>4</sup></b>		Junction Box	
4900lm (55W)							None	<b>Blank</b>
Insulation Contact							Junction Box	<b>-JB</b>
Non-IC	<b>Blank</b>						Junction Box (Chicago Plenum)	<b>-JB-CHP</b>
IC Rated/ Airtight	<b>ICA<sup>2</sup></b>						Options	
							None	<b>Blank</b>
							4.5" Ceiling Thickness	<b>-CT4</b>

<sup>1</sup> All drivers are 120V/277V unless otherwise noted.  
<sup>2</sup> (ICA) is only available on 1900lm (17W), and 2300lm (22W). (CRTR6LS1928 2800lm (28W), CRTR6LS3145, and CRTR6LS3649 are Non-IC Rated.)  
<sup>3</sup> Check Wiring Diagrams.  
<sup>4</sup> Special Order.  
<sup>5</sup> (-SUN-RMT) sensor sent with mounting clips for existing ceiling applications.

### COMPATABILITY

