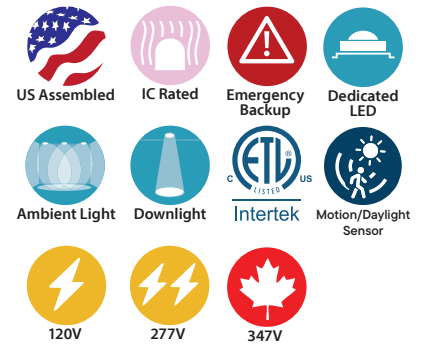
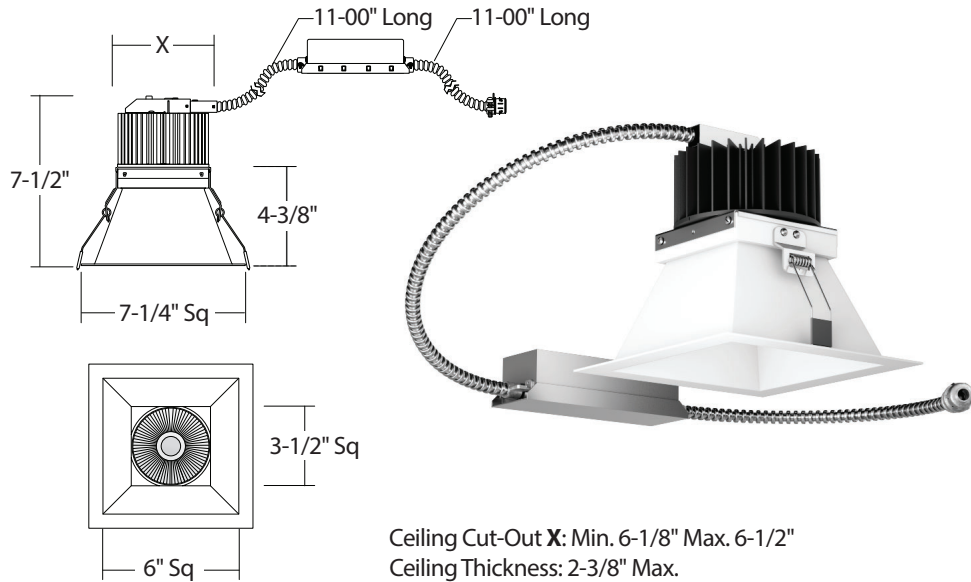


## CRTR6QLC : 6" C-SERIES

(COB) CHIP ON BOARD BEAM CONTROL SQUARE LED,  
 RETROFIT/REMODEL 1000LM - 4000LM (10W-44W)



- Heavy-duty seamless die-cast reflector
- Assortment of dimming options
- COB LED design for concentrated high CBCP beam
- Multiple beam spreads for flexible beam control
- Twist and lock reflector for quick access to LED lamp array

### ORDERING : CRTR6QLC10SW-B30-T27UE-D10-JB-CHP

[Click for Full Specification Details](#)

CRTR6QLC		Reflector Finish	Beam Spread	CCT	Control	Emergency Options	J-Box
Fixture/Lumens	Insulation Contact						
1000lm (10W)	<b>CRTR6QLC10</b>	15° Spot	<b>-B15</b>	0-10V Dimming	<b>UE-D10</b>	None	<b>Blank</b>
1500lm (15W)	<b>CRTR6QLC13</b>	30° Narrow Flood	<b>-B30</b>	UniDim™ 0-10V, TRIAC/ELV Dimming	<b>UE-DUN</b>	10W Emergency Battery	<b>-EM</b>
2100lm (20W)	<b>CRTR6QLC20</b>	40° Flood	<b>-B40</b>	TRIAC/ELV Dimming (120V)	<b>-DIN</b>	Full Power Emergency Inverter	<b>-EMAC<sup>5</sup></b>
2800lm (30W)	<b>CRTR6QLC26</b>	60° Wide Flood	<b>-B60</b>	Lutron Hi-Lume	<b>UE-DHL</b>	Full Power Emergency Inverter (347V)	<b>-EMAC347<sup>5</sup></b>
4000lm (44W)	<b>CRTR6QLC35</b>	80° Very Wide Flood	<b>-B80</b>	0-10V Dimming (347V)	<b>-347-D10<sup>2</sup></b>	GTD Device	<b>-GTD</b>
Insulation Contact		CCT		1%, 0-10V Dimming	<b>UE-D10P1</b>		
Non-IC	<b>Blank</b>	2700K (90 CRI)	<b>-T27</b>	0-10V Dimming with 10W Integral Emergency Battery Backup	<b>UE-D10-EMA<sup>4</sup></b>	J-Box	
ICA Rated	<b>ICA<sup>3</sup></b>	2700K (97 CRI)	<b>-T27-C97</b>	DMX Dimming with input via XLR5	<b>UE-DMXLR5</b>	None	<b>Blank</b>
Airtight		3000K (90 CRI)	<b>-T30</b>	DMX Dimming with input via RJ45	<b>UE-DMXRJ45</b>	Junction Box	<b>-JB</b>
Reflector Finish		3000K (97 CRI)	<b>-T30-C97</b>	0%, DMX Dimming	<b>-DMX</b>	Junction Box (Chicago Plenum)	<b>-JB-CHP</b>
Satin Haze Reflector/ SW		3500K (90 CRI)	<b>-T35</b>	Athena Wireless Node (120V)	<b>-AWN</b>		
White Ring		4000K (90 CRI)	<b>-T40</b>	Athena Wireless Node Occupancy Sensor (120V)	<b>-AWN-OCC</b>		
White Reflector/ WW		5000K (80 CRI)	<b>-T50</b>	UniSense - Remotely Mounted Motion/Photosensor (120V)	<b>-SUN-RMT<sup>7</sup></b>		
White Ring				UniSense - Remotely Mounted Motion/Photosensor	<b>-SUN-RMT-1227<sup>7</sup></b>		
All Black	<b>BB</b>			Casambi Wireless Dimming	<b>-DCSM<sup>6</sup></b>		
All Satin Haze	<b>SS</b>			BubblyNet Wireless System	<b>-DBNT<sup>6</sup></b>		
				Lutron Vive Wireless Dimming Module	<b>-VIVE<sup>6</sup></b>		

<sup>1</sup> All drivers are 120V/277V unless otherwise noted.

<sup>2</sup> -347-D10 is not available for CRTR6QLC10.

<sup>3</sup> (ICA) is only available for CRTR6QLC10, CRTR6QLC13, CRTR6QLC20, and CRTR6QLC26. (CRTR6QLC35 are Non-IC rated.)

<sup>4</sup> UE-D10-EMA is not compatible with -EM or -EMAC or -EMAC347 or -GTD

<sup>5</sup> Check Wiring Diagrams.

<sup>6</sup> Special Order.

<sup>7</sup> (-SUN-RMT) sensor sent with mounting clips for existing ceiling applications.