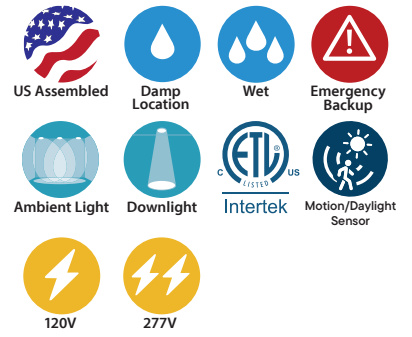
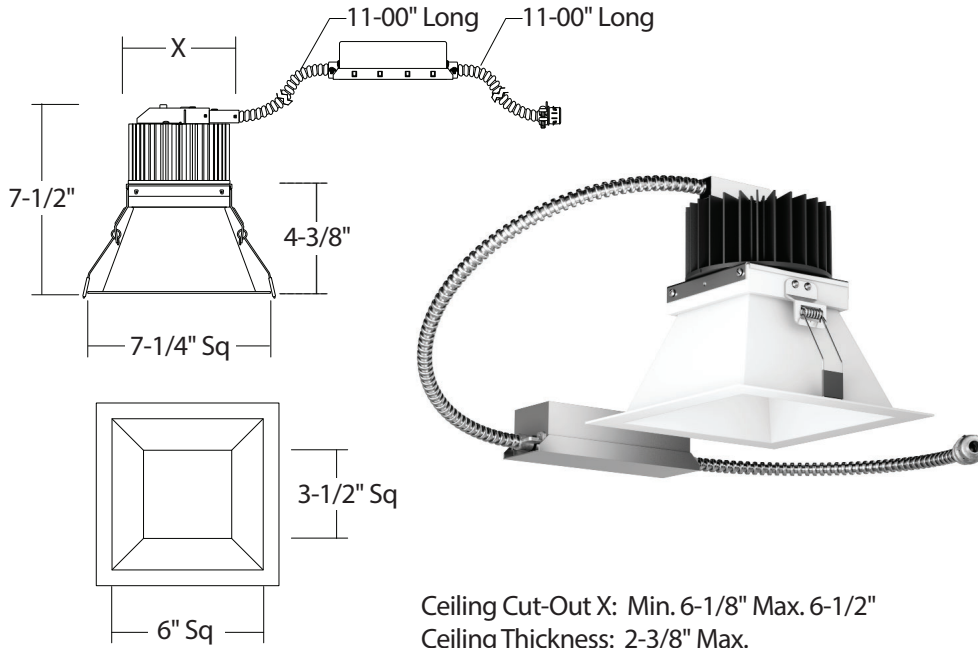


CRTR6QLS : 6" C-SERIES

SQUARE LUMEN/COLORSELECT RETROFIT/REMODEL
 1300LM - 3700LM (17W-55W)



- Three LumenSelect options up to 2000lm, 3300lm, or 3700lm
- ColorSelect 3000K, 3500K, 4000K (84CRI) switch
- Twist and lock reflector for quick access to LED lamp array
- Heavy-duty seamless die-cast reflector
- Soft even lumen distribution
- No visible screws or hardware

ORDERING : CRTR6QLS1320SWUE-D10-TS354

[Click for Full Specification Details](#)

CRTR6QLSxxx

Fixture/Lumens	Insulation Contact	Reflector Finish	Control	Emergency Options	ColorSelect	Junction Box
Fixture/Lumens 1300lm (17W) CRTR6QLS1320 1700lm (22W) 2000lm (28W) 2300lm (30W) CRTR6QLS2333 2800lm (39W) 3300lm (48W) 2700lm (35W) CRTR6QLS2737 3200lm (45W) 3700lm (55W)	Insulation Contact Non-IC Blank IC Rated/Airtight ICA²	Reflector Finish Satin Haze Reflector/ White Ring SW White Reflector/ White Ring WW All Black BB All Satin Haze SS	Control¹ 0-10V Dimming Athena Wireless Node (120V) Athena Wireless Node Occupancy Sensor (120V) UniSense - Remotely Mounted Motion/ Photosensor (120V) UniSense - Remotely Mounted Motion/ Photosensor Casambi Wireless Dimming BubbyNet Wireless System Lutron Vive Wireless Dimming Module	Emergency Options None Blank 10W Emergency Battery -EM Full Power Emergency Inverter -EMAC³ Full Power Emergency Inverter (347V) -EMAC347³ GTD Device -GTD	ColorSelect UE-D10 -AWN -AWN-OCC -SUN-RMT ⁵ -SUN-RMT-1227 ⁵ -DCSM ⁴ -DBNT ⁴ -VIVE ⁴	Junction Box None Blank Junction Box -JB Junction Box (Chicago Plenum) -JB-CHP

¹ All drivers are 120V/277V unless otherwise noted.
² (ICA) is only available on 1300lm (17W), and 1700lm (22W). (CRTR6QLS1320 2000lm (28W), CRTR6QLS2333, and CRTR6QLS2737 are Non-IC Rated.)
³ Check Wiring Diagrams.
⁴ Special Order.
⁵ (-SUN-RMT) sensor sent with mounting clips for existing ceiling applications.

2025.03.17