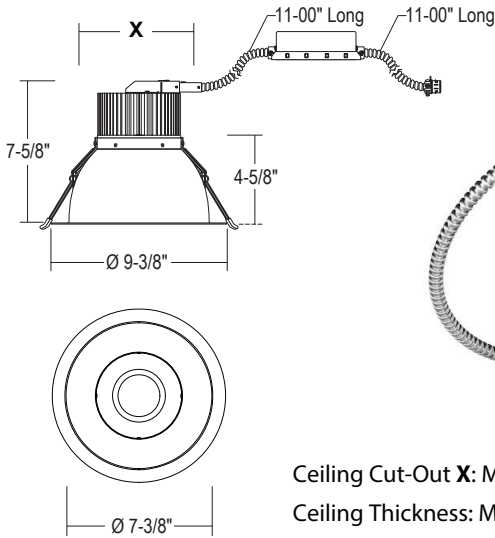
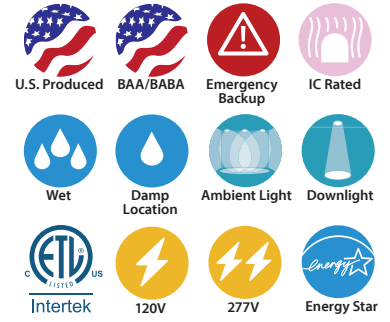


CRTR8L-USA - 8" C-SERIES

LED DOWNLIGHT RETROFIT/REMODEL 1600LM-2600LM (10W-30W)



Ceiling Cut-Out **X**: Min. 7-3/4", Max. 8-5/8"
 Ceiling Thickness: Max. 2-1/4"



- **Produced in USA**
- 10W Emergency Battery Option
- New junction box option for remodels without frames
- Twist and lock reflector for quick access to LED lamp array
- Heavy-duty self-flanged reflector
- No visible screws or hardware

ORDERING : CRTR8L-USA08SWUE-D10-T30

[Click for Full Specification Details](#)

CRTR8L-USAxx

Fixture/Lumens	Insulation Contact	Reflector Finish	Control	CCT	Emergency Options	J-Box	Options
Fixture/Lumens 1600lm (10W) CRTR8L-USA08 1900lm (15W) CRTR8L-USA10 2300lm (20W) CRTR8L-USA15 2600lm (30W) CRTR8L-USA22		Reflector Finish Satin Haze Reflector/ White Ring SW White Reflector/ White Ring WW All Black BB Clear Specular Reflector/White Ring CW All Satin Haze SS		CCT 2700K (84 CRI) -T27 3000K (84 CRI) -T30 3500K (84 CRI) -T35 4000K (84 CRI) -T40 5000K (84 CRI) -T50		J-Box None Blank Junction Box -JB Junction Box (Chicago Plenum) -JB-CHP	
Insulation Contact Non-IC Blank IC Rated/Airtight ICA¹		Control Non-Dimming (120V) Blank TRIAC/ELV Dimming (120V) -DIN 0-10V Dimming (120V/277V) UE-D10		Emergency Options None Blank 10W Emergency Battery -EM		Options None Blank 4.5" Ceiling Thickness -CT4	

¹(ICA) is only available on CRTR8L-USA08, CRTR8L-USA10 and CRTR8L-USA15. (CRTR8L-USA22 are Non-IC Rated.)

COMPATABILITY

VR800
 Outdoor Vandal Resistant
 Ceiling/Wall Kit



P-CR872
 Wall Wash for 8"

