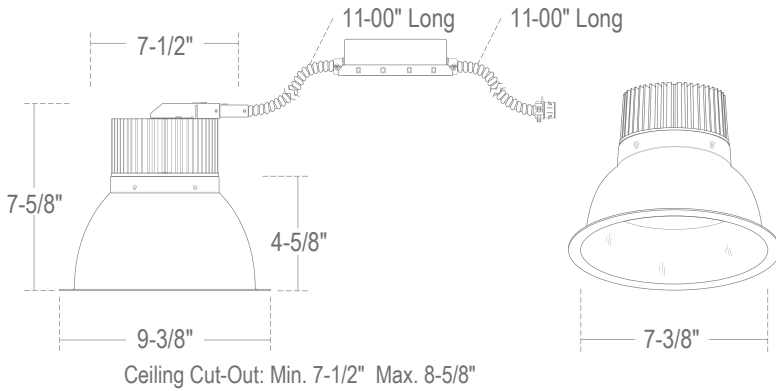


## CRTR8L - 8" C-SERIES

LED RETROFIT - 300LM-600LM (10W-22W) - AMBER (TURTLE SAFE)

- New Spring/Jbox Option for Remodel Installations without Frames
- 590nm AMBER Turtle Safe retrofit
- Usually Ships 2-3 days
- Smooth diffused illumination. No visible LED's or hot spots.
- Heavy Duty Self-Flanged Reflector
- No Visible Screws or Hardware



### ORDERING – Example: CRTR8L10BBF-TAM

[Click for Full Specification Details](#)

#### CRTR8L

Fixture	Lumens	IC Option	Reflector Finish	Control	Emergency Options	Color Temperature	J-Box	Options
Lumens		Reflector Finish		Emergency Options		J-Box		
300lm (10W)	<b>10</b>	All Black	<b>BBF</b>	None	<b>Blank</b>	None	<b>Blank</b>	
500lm (15W)	<b>15</b>			10W Emergency Battery	<b>-EM</b>	4" Junction Box	<b>-JB</b>	
600lm (22W)	<b>22</b>			Full Power Emergency Inverter	<b>-EMAC<sup>1</sup></b>			
		Control		Full Power Emergency Inverter (347V)		Options		
		Non-Dimming (120V)		<b>Blank</b>		None		
		UniDim™ 0-10V, TRIAC/ELV Dimming (120V/277V)		<b>UE-DUN</b>		4.5" Ceiling Thickness		
		TRIAC/ELV Dimming (120V)		<b>-DIN</b>		<b>Blank</b>		
IC Option				Color Temperature		<b>-CT4</b>		
Non-IC	<b>Blank</b>			590nm AMBER		<b>-TAM</b>		
IC Rated/Airtight	<b>ICA<sup>2</sup></b>							

<sup>1</sup> Check wiring diagram.

<sup>2</sup> ICA is only available for CRTR8L10 and CRTR8L15. (CRTR8L22 are Non-IC rated.)

347V Input with 0-10V Dimming available. Consult factory for lead times.

### COMPATIBLE ITEMS

**VR800**  
Outdoor Vandal Resistant Ceiling/Wall Kit

**P-CR872**  
8" Commercial Wall Wash Accessory

