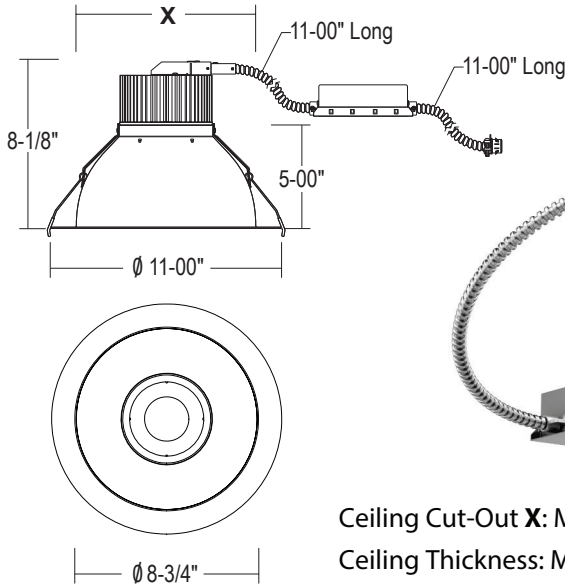
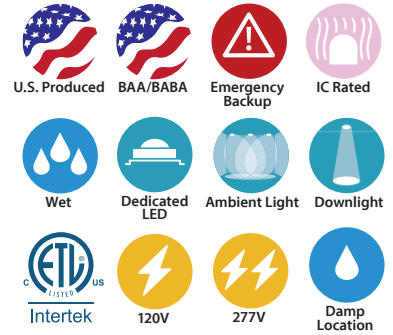


CRTR9L-USA - 9"/10" C-SERIES

LED DOWNLIGHT RETROFIT/REMODEL 1600LM-2600LM (10W-30W)



Ceiling Cut-Out X: Min. 8-7/8", Max. 10"
 Ceiling Thickness: Min. 3/8", Max. 2-1/4"



- **Produced in USA**
- 10W Emergency Battery Option
- New junction box option for remodels without frames
- Twist and lock reflector for quick access to LED lamp array
- Heavy-duty self-flanged reflector
- No visible screws or hardware

ORDERING : CRTR9L-USA08ICASWUE-D10-T30

[Click for Full Specification Details](#)

CRTR9L-USAxx

Fixture/Lumens	Insulation Contact	Reflector Finish	Control	CCT	Emergency Options	J-Box	Options																																	
<table border="1"> <thead> <tr> <th>Fixture/Lumens</th> <th>Reflector Finish</th> <th>CCT</th> <th>J-Box</th> </tr> </thead> <tbody> <tr> <td>1600lm (10W) CRTR9L-USA08</td> <td>Satin Haze Reflector/ White Ring</td> <td>2700K (84 CRI) -T27</td> <td>None Blank</td> </tr> <tr> <td>1900lm (15W) CRTR9L-USA10</td> <td>White Reflector/ White Ring</td> <td>3000K (84 CRI) -T30</td> <td>Junction Box -JB</td> </tr> <tr> <td>2300lm (20W) CRTR9L-USA15</td> <td>All Black</td> <td>3500K (84 CRI) -T35</td> <td>Junction Box -JB-CHP (Chicago Plenum)</td> </tr> <tr> <td>2600lm (30W) CRTR9L-USA22</td> <td>Clear Specular Reflector/White Ring</td> <td>4000K (84 CRI) -T40</td> <td></td> </tr> <tr> <td></td> <td>All Satin Haze</td> <td>5000K (84 CRI) -T50</td> <td></td> </tr> </tbody> </table>		Fixture/Lumens	Reflector Finish	CCT	J-Box	1600lm (10W) CRTR9L-USA08	Satin Haze Reflector/ White Ring	2700K (84 CRI) -T27	None Blank	1900lm (15W) CRTR9L-USA10	White Reflector/ White Ring	3000K (84 CRI) -T30	Junction Box -JB	2300lm (20W) CRTR9L-USA15	All Black	3500K (84 CRI) -T35	Junction Box -JB-CHP (Chicago Plenum)	2600lm (30W) CRTR9L-USA22	Clear Specular Reflector/White Ring	4000K (84 CRI) -T40			All Satin Haze	5000K (84 CRI) -T50		<table border="1"> <thead> <tr> <th>Control</th> <th>Emergency Options</th> </tr> </thead> <tbody> <tr> <td>Non-Dimming (120V) Blank</td> <td>None Blank</td> </tr> <tr> <td>TRIAC/ELV Dimming (120V) -DIN</td> <td>10W Emergency Battery -EM</td> </tr> <tr> <td>0-10V Dimming (120V/277V) UE-D10</td> <td></td> </tr> </tbody> </table>		Control	Emergency Options	Non-Dimming (120V) Blank	None Blank	TRIAC/ELV Dimming (120V) -DIN	10W Emergency Battery -EM	0-10V Dimming (120V/277V) UE-D10		<table border="1"> <thead> <tr> <th>Options</th> </tr> </thead> <tbody> <tr> <td>None Blank</td> </tr> <tr> <td>4.5" Ceiling Thickness -CT4</td> </tr> </tbody> </table>		Options	None Blank	4.5" Ceiling Thickness -CT4
Fixture/Lumens	Reflector Finish	CCT	J-Box																																					
1600lm (10W) CRTR9L-USA08	Satin Haze Reflector/ White Ring	2700K (84 CRI) -T27	None Blank																																					
1900lm (15W) CRTR9L-USA10	White Reflector/ White Ring	3000K (84 CRI) -T30	Junction Box -JB																																					
2300lm (20W) CRTR9L-USA15	All Black	3500K (84 CRI) -T35	Junction Box -JB-CHP (Chicago Plenum)																																					
2600lm (30W) CRTR9L-USA22	Clear Specular Reflector/White Ring	4000K (84 CRI) -T40																																						
	All Satin Haze	5000K (84 CRI) -T50																																						
Control	Emergency Options																																							
Non-Dimming (120V) Blank	None Blank																																							
TRIAC/ELV Dimming (120V) -DIN	10W Emergency Battery -EM																																							
0-10V Dimming (120V/277V) UE-D10																																								
Options																																								
None Blank																																								
4.5" Ceiling Thickness -CT4																																								
<table border="1"> <thead> <tr> <th>Insulation Contact</th> </tr> </thead> <tbody> <tr> <td>Non-IC Blank</td> </tr> <tr> <td>IC Rated/Airtight ICA¹</td> </tr> </tbody> </table>		Insulation Contact	Non-IC Blank	IC Rated/Airtight ICA¹																																				
Insulation Contact																																								
Non-IC Blank																																								
IC Rated/Airtight ICA¹																																								

¹ (ICA) is only available on CRTR9L-USA08, CRTR9L-USA10 and CRTR9L-USA15. (CRTR9L-USA22 are Non-IC Rated.)