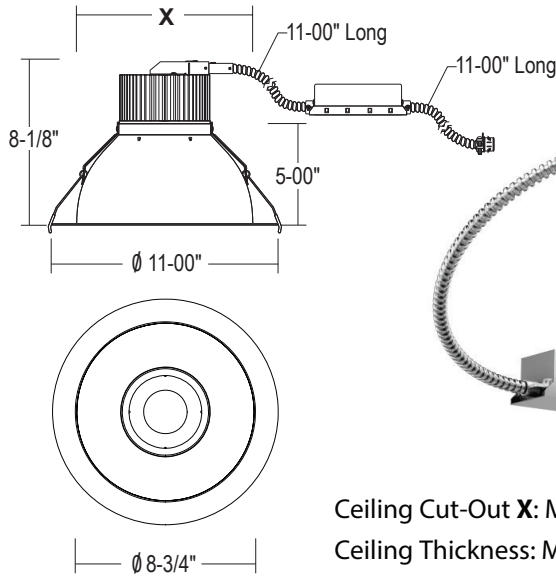
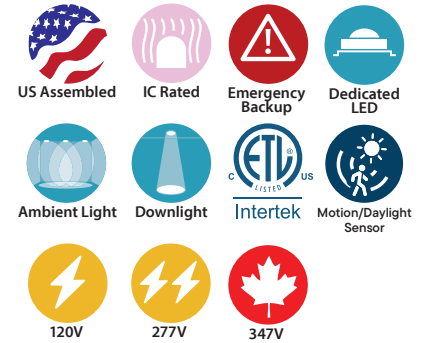


## CRTR9LC : 9"/10" C-SERIES

(COB) CHIP ON BOARD BEAM CONTROL LED, RETROFIT/REMODEL  
 1000LM - 4000LM (10W-44W)



Ceiling Cut-Out X: Min. 8-7/8", Max. 10"  
 Ceiling Thickness: Min. 3/8", Max. 2-1/4"



- Heavy-duty seamless die-cast reflector
- Assortment of dimming options
- COB LED design for concentrated high CBCP beam
- Multiple beam spreads for flexible beam control
- Twist and lock reflector for quick access to LED lamp array

### ORDERING : CRTR9LC10SW-B40-T27UE-D10-JB-CHP

[Click for Full Specification Details](#)

CRTR9LC		Reflector Finish	Beam Spread	CCT	Control	Emergency Options	J-Box	Options
Fixture/Lumens	Insulation Contact							
Fixture/Lumens		Beam Spread		Control <sup>1</sup>		Emergency Options		Options
1000lm (10W)	<b>CRTR9LC10</b>	20° Spot	<b>-B20</b>	0-10V Dimming	<b>UE-D10</b>	None		<b>Blank</b>
1300lm (15W)	<b>CRTR9LC13</b>	30° Narrow Flood	<b>-B30</b>	UniDim™ 0-10V, TRIAC/ELV Dimming	<b>UE-DUN</b>	10W Emergency Battery		<b>-EM</b>
2000lm (20W)	<b>CRTR9LC20</b>	40° Flood	<b>-B40</b>	TRIAC/ELV Dimming (120V)	<b>-DIN</b>	Full Power Emergency Inverter		<b>-EMAC<sup>6</sup></b>
2800lm (30W)	<b>CRTR9LC26</b>	60° Wide Flood	<b>-B60</b>	Lutron Hi-Lume	<b>UE-DHL</b>	Full Power Emergency Inverter (347V)		<b>-EMAC347<sup>6</sup></b>
4000lm (44W)	<b>CRTR9LC32</b>	75° Very Wide Flood	<b>-B75</b>	0-10V Dimming (347V)	<b>-347-D10<sup>2</sup></b>	GTD Device		<b>-GTD</b>
				1%, 0-10V Dimming	<b>UE-D10P1</b>			
Insulation Contact	CCT			0-10V Dimming with 10W Integral Emergency Battery Backup	<b>UE-D10-EMA<sup>5</sup></b>		J-Box	
Non-IC	<b>Blank</b>	2700K (90 CRI)	<b>-T27</b>	DMX Dimming with input via XLR5	<b>UE-DMXLR5</b>		None	<b>Blank</b>
ICA Rated	<b>ICA<sup>4</sup></b>	2700K (97 CRI)	<b>-T27-C97</b>	DMX Dimming with input via RJ45	<b>UE-DMXRJ45</b>		Junction Box	<b>-JB</b>
Airtight		3000K (90 CRI)	<b>-T30</b>	0%, DMX Dimming	<b>-DMX</b>		Junction Box (Chicago Plenum)	<b>-JB-CHP</b>
		3000K (97 CRI)	<b>-T30-C97</b>	Athena Wireless Node (120V)	<b>-AWN</b>			
Reflector Finish		3500K (90 CRI)	<b>-T35</b>	Athena Wireless Node Occupancy Sensor (120V)	<b>-AWN-OCC</b>	Options		
Satin Haze Reflector/ White Ring	<b>SW</b>	4000K (90 CRI)	<b>-T40</b>	UniSense - Remotely Mounted Motion/Photosensor (120V)	<b>-SUN-RMT<sup>8</sup></b>	None		<b>Blank</b>
White Reflector/ White Ring	<b>WW</b>	5000K (80 CRI)	<b>-T50</b>	UniSense - Remotely Mounted Motion/Photosensor	<b>-SUN-RMT-1227<sup>8</sup></b>	4.5" Ceiling Thickness		<b>-CT4</b>
All Black	<b>BB</b>			Casambi Wireless Dimming	<b>-DCSM<sup>7</sup></b>			
Clear Specular Reflector/White Ring	<b>CW<sup>3</sup></b>			BubblyNet Wireless System	<b>-DBNT<sup>7</sup></b>			
All Satin Haze	<b>SS</b>			Lutron Vive Wireless Dimming Module	<b>-VIVE<sup>7</sup></b>			

<sup>1</sup> All drivers are 120V/277V unless otherwise noted.

<sup>2</sup> -347-D10 is not available for CRTR9LC10.

<sup>3</sup> Clear finish reflector not recommended for placing close to vertical surfaces. Uneven striations may be visible.

<sup>4</sup> (ICA) is only available for CRTR9LC10, CRTR9LC13, CRTR9LC20, and CRTR9LC26. (CRTR9LC32 are Non-IC rated.)

<sup>5</sup> UE-D10-EMA is not compatible with -EM or -EMAC or -EMAC347 or -GTD

<sup>6</sup> Check Wiring Diagrams.

<sup>7</sup> Special Order.

<sup>8</sup> (-SUN-RMT) sensor sent with mounting clips for existing ceiling applications.