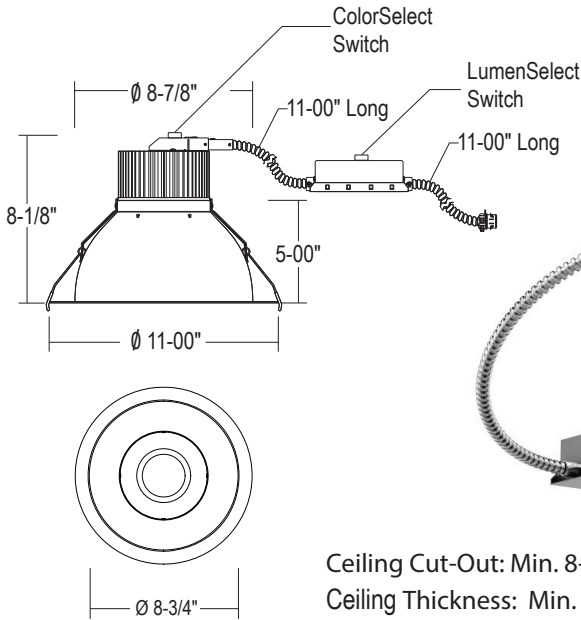
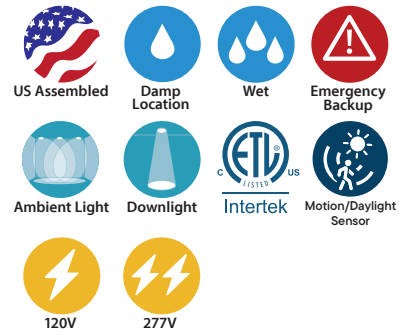


## CRTR9LS : 9" C-SERIES

LUMEN/COLORSELECT RETROFIT/REMODEL 2000LM - 5300LM (17W-53W)



Ceiling Cut-Out: Min. 8-7/8", Max. 10"  
 Ceiling Thickness: Min. 3/8", Max. 2-1/2"



- Three LumenSelect options up to 2900lm, 4800lm, or 5300lm
- ColorSelect 3000K, 3500K, 4000K (84CRI) switch
- New junction box option for remodels without frames
- Twist and lock reflector for quick access to LED lamp array
- Heavy-duty self-flanged reflector
- No visible screws or hardware

### ORDERING : CRTR9LS2029SWUE-D10-TS354

[Click for Full Specification Details](#)

CRTR9LSxxxx		Insulation Contact	Reflector Finish	Control	Emergency Options	ColorSelect	Junction Box	Options
LumenSelect Reflector								
LumenSelect Reflector			Reflector Finish	Control <sup>1</sup>			Emergency Options	
2000lm (17W)	<b>CRTR9LS2029</b>		Satin Haze Reflector/ White Ring	<b>SW</b>	0-10V Dimming	<b>UE-D10</b>	None	<b>Blank</b>
2400lm (22W)			White Reflector/ White Ring	<b>WW</b>	Athena Wireless Node (120V)	<b>-AWN</b>	10W Emergency Battery	<b>-EM</b>
2900lm (28W)			All Black	<b>BB</b>	Athena Wireless Node Occupancy Sensor (120V)	<b>-AWN-OCC</b>	Full Power Emergency Inverter	<b>-EMAC<sup>3</sup></b>
3300lm (31W)	<b>CRTR9LS3348</b>		Clear Specular Reflector/White Ring	<b>CW</b>	UniSense - Remotely Mounted Motion/ Photosensor (120V)	<b>-SUN-RMT<sup>5</sup></b>	Full Power Emergency Inverter (347V)	<b>-EMAC347<sup>3</sup></b>
4100lm (39W)			All Satin Haze	<b>SS</b>	UniSense - Remotely Mounted Motion/ Photosensor	<b>-SUN-RMT-1227<sup>5</sup></b>	GTD Device	<b>-GTD</b>
4800lm (48W)					Casambi Wireless Dimming	<b>-DCSM<sup>4</sup></b>	ColorSelect	
3800lm (35W)	<b>CRTR9LS3853</b>				BubbyNet Wireless System	<b>-DBNT<sup>4</sup></b>	ColorSelect 3000K, 3500K, 4000K (84CRI)	<b>-TS354</b>
4600lm (45W)					Lutron Vive Wireless Dimming Module	<b>-VIVE<sup>4</sup></b>	Junction Box	
5300lm (53W)							None	<b>Blank</b>
Insulation Contact							Junction Box	
Non-IC	<b>Blank</b>						None	<b>Blank</b>
IC Rated/ Airtight	<b>ICA<sup>2</sup></b>						Junction Box	<b>-JB</b>
							Junction Box (Chicago Plenum)	<b>-JB-CHP</b>
							Options	
							None	<b>Blank</b>
							4.5" Ceiling Thickness	<b>-CT4</b>

<sup>1</sup> All drivers are 120V/277V unless otherwise noted.  
<sup>2</sup> (ICA) is only available on 2000lm (17W), and 2400lm (22W). (CRTR9LS2029 2900lm (28W), CRTR9LS3348, and CRTR9LS3853 are Non-IC Rated).  
<sup>3</sup> Check Wiring Diagrams.  
<sup>4</sup> Special Order.  
<sup>5</sup> (-SUN-RMT) sensor sent with mounting clips for existing ceiling applications.