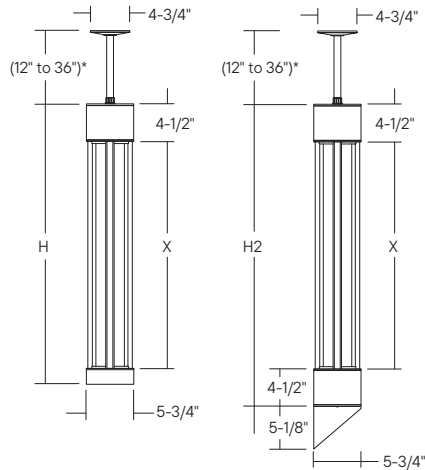


DL261RP : LUMENPOLE PENDANT MOUNT

6" FROSTED LENS - 1500LM - 4700LM (18W-55W)

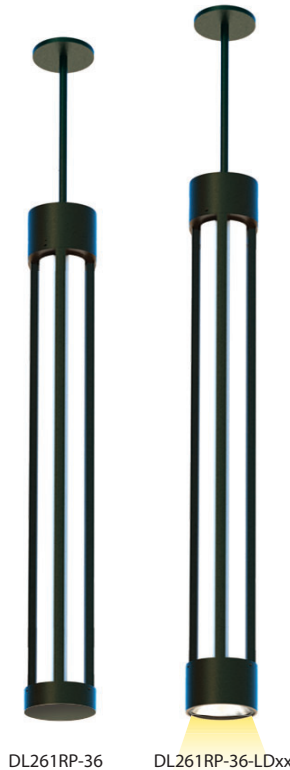


DL261RP-19/28/36
Shown with Shield Option (-SH)

DL261RP-19/28/3-LDxx
Shown with Shield Option (-SH)

	X	H	H2
DL261R-19	18-3/4"	25"	27-3/4"
DL261R-28	27-1/2"	33-3/4"	36-1/2"
DL261R-36	36"	42-1/4"	45"

* Stem available in other Lengths, consult Factory



- 6" Round
- Pendant available with downlight
- IK08 Impact Rating
- RGBW, and Photocell options
- 12", 24", 36", 48" & 72" Pendant stem heights
- 5-year warranty

ORDERING : DL261RP-19B-LD15-B45-DBNT-T27-C80-STM24

[Click for Full Specification Details](#)

DL261RP

Fixture	Height of Lens	Finish	Downlight Lumens	Downlight Optic	Control	LED	Stem Length	Options
Fixture	DL261RP		Downlight Lumens	Control			Stem Length	
Pendant			None Blank	Unidim™ 0-10V, ELV/Triac Dimming (120V/277V)	Blank		12" Stem	-STM12
			1000lm (10W) -LD10	UniSense - Integral Motion/Photosensor (120V)	-SUN-INT⁶		24" Stem	-STM24
Height of Lens			1500lm (15W) -LD15	UniSense - Integral Motion/Photosensor (120V/277V)	-SUN-INT-1227⁶		36" Stem	-STM36
19" Frosted Lens -19			2000lm (20W) -LD20	Casambi Wireless Dimming (120V/277V)	-DCSM^{1,7}		48" Stem	-STM48
28" Frosted Lens -28			2600lm (28W) -LD26	BubblyNet Wireless System (120V/277V)	-DBNT¹		72" Stem	-STM72
36" Frosted Lens -36				SimplySnap Wireless System (120V/277V)	-DSYN⁹			Options
Finish			Downlight Optic				None	Blank
Black B			None Blank				Day Light Sensor	-SDL³
White W⁸			Narrow Spot -B10				Surge Protector (120V/277V)	-SRG³
Silver S⁸			Spot -B20				Glare Shield	-SH
Bronze BZ⁸			Flood -B45				Cold Weather	-CW⁴
			Wide Flood -B60				Marine Grade Finish	-MGD¹
				LED				
				2700K (80 CRI)	-T27-C80¹			
				3000K (80 CRI)	-T30-C80			
				4000K (80 CRI)	-T40-C80			
				5000K (80 CRI)	-T50-C80¹			
				RGBW (80 CRI)	-RGBW^{1,2,3,5}			

¹ Special order. Minimum order quantity, extended lead time, and setup fee may apply. Consult factory.
² Available with wireless Bluetooth or DMX control. Consult factory for details. Remote power supplies and control gear may be required.
³ Not rated for cold weather. Minimum fixture outdoor temperature 0°C (-32°F).
⁴ Starting Temperature -40°C/-40°F.
⁵ (-RGBW) is only for the diffused section (NOT for the direct download light).
⁶ (-SUN-INT) sensor mounted differently if ordered with downlight. See page 5 for more details. Consult Factory for any layout assistance.
⁷ (-DCSM) not available for (-19) or (-LD10).
⁸ Special Order Finish. Minimum order quantity (MOQ) applies. Orders less than MOQ are subject to a special paint set-up fee for the quantity ordered. Extended lead times may apply. Consult Factory.
⁹ Special Order. Sent with surface mount JBOX to allow for direct-conduit entry.

Custom RAL Color: Please note that we appreciate custom finishes. Custom finishes are subject to a special paint setup fee for the quantity ordered. Extended lead times may apply. Consult Factory.