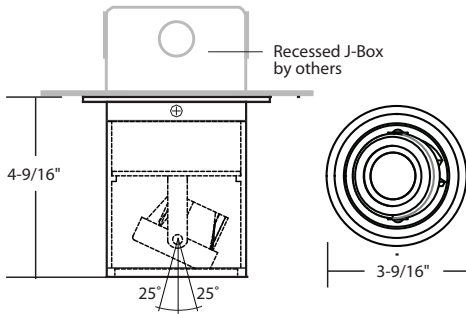


# DL340J: 4" ROUND

ADJUSTABLE CEILING DOWNLIGHT (IP65) 700LM (9W)



US Assembled	Emergency Backup	Wet	Downlight
IK08	ETL Intertek	Outdoor	Adjustable
Tamper Resistant	Cold Weather	Dark Sky	Wall Wash
IP65	120V	277V	

- Energy efficient, low glare LED Chip-On-Board light engine
- Beam spreads include FL, and WFL
- Emergency back up available
- Integral Surface J-Box Option
- ±25° Tilt
- 5-Year Limited Warranty
- IK08 Rated

## ORDERING : DL340JB-L15-B45UE-DUN-EMAC-T27

[Click for Full Specification Details](#)

### DL340J

Fixture      Finish      Optics      Control      Emergency Options      LED      Options

Finish		Optics		Control <sup>4</sup>		LED		
White	(RAL 9003) <b>W</b>	<i>Standard Beams</i>		Non-Dimming (120V)		<b>Blank</b>	2700K (80+ CRI) <b>-T27</b>	
Silver	(RAL 7037) <b>S</b>	Flood	<b>-B45</b>	UniDim™ 0-10V, ELV, Triac Dimming (120V/277V)		<b>UE-DUN<sup>5</sup></b>	3000K (80+ CRI) <b>-T30</b>	
Bronze	(RAL 8019) <b>BZ</b>	Wide Flood	<b>-B60</b>	0-10V Dimming (120V/277V)		<b>UE-D10</b>	3500K (80+ CRI) <b>-T35</b>	
Black	(RAL 9005) <b>B</b>			0-10V 1% Dimming (120V/277V)		<b>UE-D10P1</b>	4000K (80+ CRI) <b>-T40</b>	
Light Silver	(RAL 7036) <b>LS<sup>2</sup></b>			Casambi Wireless Dimming (120V/277V)		<b>-DCSM<sup>8</sup></b>	<b>Options</b>	
Dark Grey	(RAL 7015) <b>DG<sup>2</sup></b>			BubblyNet Wireless System (120V/277V)		<b>-DBNT<sup>9</sup></b>	None	<b>Blank</b>
Metallic Gold	(RAL 1001) <b>MG<sup>2</sup></b>			SimplySnap Wireless System (120V/277V)		<b>-DSYN<sup>10</sup></b>	Hex-Cell Louver	<b>-LVR</b>
Metallic Black	(RAL 7021) <b>MB<sup>2</sup></b>			<b>Emergency Options</b>			Photocell Sensor	<b>-SDL</b>
				None		<b>Blank</b>	Integral J-Box	<b>-JB<sup>5,7</sup></b>
				Remote Location Emergency System		<b>-EMAC</b>	Surge Protector	<b>-SRG</b>
				Emergency in Canopy for Surface Mounted Fixture		<b>-EMA<sup>1,6,7</sup></b>	Glare Shield	<b>-SH</b>
				Emergency in Canopy for Pendant Mounted Fixture		<b>-EMA/PM<sup>1,3,6,7</sup></b>	Cold Weather	<b>-CW<sup>7</sup></b>
							Marine Grade Finish	<b>-MGD<sup>2</sup></b>

<sup>1</sup> -EMA and -EMA/PM for 15W max.  
<sup>2</sup> Special Order Finish. Minimum order quantity (MOQ) applies. Orders less than MOQ are subject to a special paint set-up fee for the quantity ordered. Extended lead times may apply. Consult Factory.  
<sup>3</sup> Must be ordered with Pendant mount accessory (LPCMDL4).  
<sup>4</sup> 347V Input with 0-10V Dimming available. Consult factory for lead times.  
<sup>5</sup> See p. 4 for breakdown of -JB option.  
<sup>6</sup> Standard option only available for Black (B), and White (W) finish. For alternate finishes. Contact factory for pricing. Extended lead time may apply.  
<sup>7</sup> (-EMA), (-EMA/PM), and (-JB) are not compatible with (-CW) option.  
<sup>8</sup> Must be ordered with (-JB).  
<sup>9</sup> Special Order. (-EMA), (-EMA/PM), and (-JB) are not compatible with (-DBNT) option.  
<sup>10</sup> Special Order. Sent with surface mount JBOX to allow for direct-conduit entry.

Custom RAL Color: Please note that we appreciate custom finishes. Custom finishes are subject to a special paint setup fee for the quantity ordered. Extended lead times may apply. Consult Factory.

2025.06.17