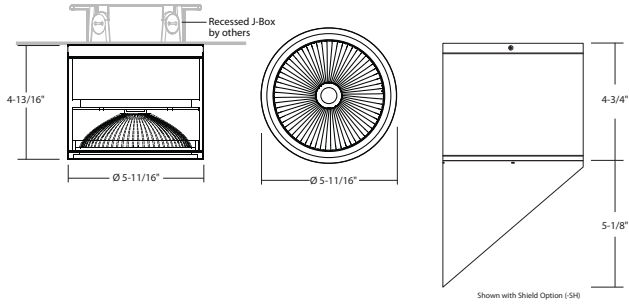
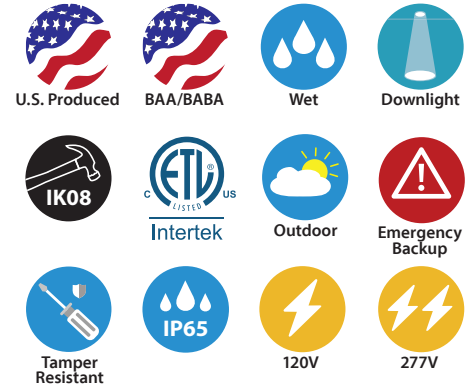


DL360-USA : 6" ROUND

CEILING DOWNLIGHT (IP65) 1000LM-2500LM (10W-30W)



- **Produced in USA**
- 10W Emergency Battery Option
- Energy efficient, low glare LED Chip-On-Board light engine
- Beam spreads include NS, SP, FL, WFL and Pencil Beam
- Wall Wash Optics available
- Integral Surface J-Box Option
- 5-Year Limited Warranty
- IK08 Rated

ORDERING : DL360-USAB-L15-CB10UE-D10-EM-T27

[Click for Full Specification Details](#)

DL360-USA

Fixture	Finish	Lumen	Optics	Control	Emergency Options	LED	Options
Finish		Optics		Control		LED	
White (RAL 9003)	W	<i>Standard Beams</i>		Non-Dimming (120V)	Blank	4000K (90 CRI)	Blank
Silver (RAL 7037)	S	Wide Flood	Blank	0-10V Dimming (120V/277V)	UE-D10	2700K (90 CRI)	-T27
Bronze (RAL 8019)	BZ	Narrow Spot	-B10	Emergency Options		3000K (90 CRI)	-T30
Black (RAL 9005)	B	Spot	-B20	None	Blank	3500K (90 CRI)	-T35
Light Silver (RAL 7036)	LS¹	Flood	-B45	10W Emergency Battery	-EM	5000K (80 CRI)	-T50
Dark Grey (RAL 7015)	DG¹	<i>CleanBeam™ Option</i>		Options			
Metallic Gold (RAL 1001)	MG¹	10° Pencil Beam	-CB10	None			
Metallic Black (RAL 7021)	MB¹	15° Clean Beam	-CB15	Hex-Cell Louver			
Lumen		35° Clean Beam	-CB35	Photocell Sensor			
1000lm (10W)	Blank	<i>Specialty Beams</i>		Integral Junction Box 1-Outlet			
1500lm (15W)	-L15	Wall Wash	-BWW	Surge Protector			
2200lm (22W)	-L20	Asymmetric (30° x 60°)	-B3060	Glare Shield			
2500lm (30W)	-L26			Frosted Lens			
				Regressed Lens			

2025.06.12

¹ Special Order Finish. Minimum order quantity (MOQ) applies. Orders less than MOQ are subject to a special paint set-up fee for the quantity ordered. Extended lead times may apply. Consult Factory.
² (-LVR) Hex-Cell Louver is not available with CleanBeam Options (-CB10), (-CB15), (-CB35).

Custom RAL Color: Please note that we appreciate custom finishes. Custom finishes are subject to a special paint setup fee for the quantity ordered. Extended lead times may apply. Consult Factory.