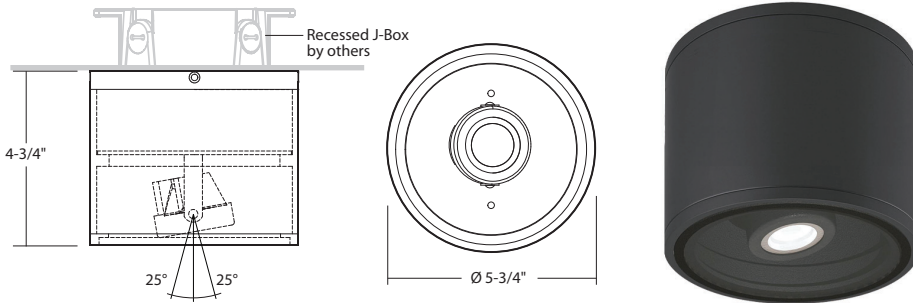


# DL360J: 6" ROUND

ADJUSTABLE CEILING DOWNLIGHT (IP65) 700LM (10W)



- Energy efficient, low glare LED Chip-On-Board light engine
- Beam spreads include FL, and WFL
- Emergency back up available
- Integral Surface J-Box Option
- ±25° Tilt
- 5-Year Limited Warranty
- IK08 Rated

## ORDERING : DL360JB-B45UE-DUN-EMAC-T27-LVR

[Click for Full Specification Details](#)

### DL360J

Fixture      Finish      Optics      Control      Emergency Options      LED      Options

Finish		Optics		Control		LED	
White (RAL 9003)	<b>W</b>	<i>Standard Beams</i>		Non-Dimming (120V)		<b>Blank</b>	2700K (80 CRI) <b>-T27</b>
Silver (RAL 7037)	<b>S</b>	Flood	<b>-B45</b>	UniDim™ 0-10V, ELV, Triac Dimming (120V/277V)		<b>UE-DUN</b>	3000K (80 CRI) <b>-T30</b>
Bronze (RAL 8019)	<b>BZ</b>	Wide Flood	<b>-B60</b>	0-10V 1% Dimming (120V/277V)		<b>UE-D10P1</b>	3500K (80 CRI) <b>-T35</b>
Black (RAL 9005)	<b>B</b>			Casambi Wireless Dimming		<b>-DCSM<sup>4</sup></b>	4000K (80 CRI) <b>-T40</b>
Light Silver (RAL 7036)	<b>LS<sup>1</sup></b>			BubbyNet Wireless System		<b>-DBNT<sup>4</sup></b>	
Dark Grey (RAL 7015)	<b>DG<sup>1</sup></b>			SimplySnap Wireless System		<b>-DSYN<sup>5</sup></b>	
Metallic Gold (RAL 1001)	<b>MG<sup>1</sup></b>						<b>Options</b>
Metallic Black (RAL 7021)	<b>MB<sup>1</sup></b>						None <b>Blank</b>
				<b>Emergency Options</b>			Hex-Cell Louver <b>-LVR</b>
				None		<b>Blank</b>	Photocell Sensor <b>-SDL</b>
				Remote Location Emergency System		<b>-EMAC</b>	Integral J-Box <b>-JB</b>
				Emergency in Canopy for Surface Mounted Fixture		<b>-EMA<sup>2,3</sup></b>	Surge Protector <b>-SRG</b>
							Glare Shield <b>-SH</b>
							Cold Weather <b>-CW<sup>3</sup></b>
							Marine Grade Finish <b>-MGD<sup>1</sup></b>

<sup>1</sup> Special Order Finish. Minimum order quantity (MOQ) applies. Orders less than MOQ are subject to a special paint set-up fee for the quantity ordered. Extended lead times may apply. Consult Factory.

<sup>2</sup> Standard option only available for Black (B), and White (W) finish.

For alternate finishes; contact factory for pricing. Extended lead time may apply.

<sup>3</sup> (-EMA) is not compatible with (-CW) option.

<sup>4</sup> Special Order.

<sup>5</sup> Special Order. Sent with surface mount JBOX to allow for direct-conduit entry.

347V Input with 0-10V Dimming available. Consult factory for lead times.

Custom RAL Color: Please note that we appreciate custom finishes. Custom finishes are subject to a special paint setup fee for the quantity ordered. Extended lead times may apply. Consult Factory.