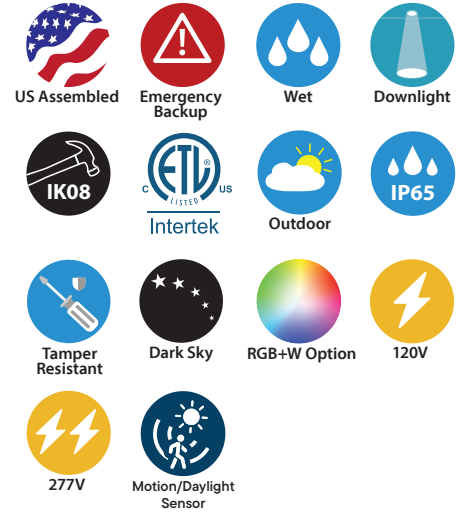
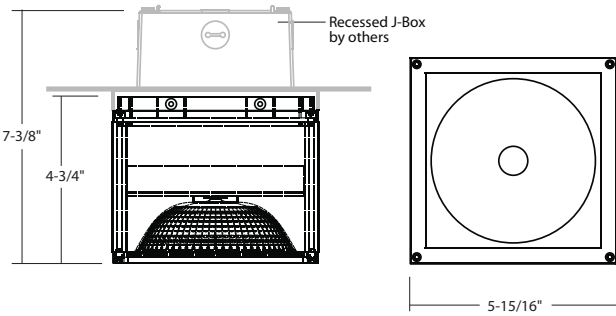


DLQ360EM : 6" SQUARE

CEILING DOWNLIGHT W/ INTEGRAL EMERGENCY (IP65)
 1000LM-2600LM (10W-30W)



- Energy efficient, low glare LED Chip-On-Board light engine
- Beam spreads include NS, SP, FL, WFL and Pencil Beam
- Wall Wash Optics available
- Integral Emergency
- Integral Surface J-Box Option
- 5-Year Limited Warranty
- IK08 Rated

ORDERING : DLQ360EMW-L15-B20UE-D10-T30-JB

[Click for Full Specification Details](#)

DLQ360EM

Fixture	Finish	Lumen	Optics	Control	LED	Options
Finish			Optics	Control	LED	
White (RAL 9003)	W		<i>Standard Beams</i>	Non-Dimming (120V)	Blank	4000K (90 CRI) Blank
Silver (RAL 7037)	S		Wide Flood	0-10V Dimming (120V/277V)	UE-D10	2700K (90 CRI) -T27
Bronze (RAL 8019)	BZ		Narrow Spot	0-10V Dimming (1%) (120V/277V)	UE-D10P1	2700K (97 CRI) -T27-C97²
Black (RAL 9005)	B		Spot	UniSense - Integral Motion/Photosensor (120V)	-SUN-INT⁵	3000K (90 CRI) -T30
Light Silver (RAL 7036)	LS¹		Flood	UniSense - Integral Motion/Photosensor (120V/277V)	-SUN-INT-1227⁵	3000K (97 CRI) -T30-C97²
Dark Grey (RAL 7015)	DG¹		<i>CleanBeam™ Option</i>	Casambi Wireless Dimming (120V/277V)	-DCSM⁶	3500K (90 CRI) -T35
Metallic Gold (RAL 1001)	MG¹		10° Pencil Beam	BubblyNet Wireless System (120V/277V)	-DBNT⁶	5000K (80 CRI) -T50
Metallic Black (RAL 7021)	MB¹			SimplySnap Wireless System (120V/277V)	-DSYN⁷	RGB+W Control (24VDC) -RGBWV24³
Lumen			<i>Specialty Beams</i>			Options
1000lm (10W)	Blank		Wall Wash			None Blank
1500lm (15W)	-L15		Asymmetric (30° x 60°)			Frosted Lens -FR
2200lm (22W)	-L20					Hex-Cell Louver -LVR⁴
2600lm (30W)	-L26					Photocell Sensor -SDL
						Integral J-Box -JB
						Surge Protector -SRG
						Marine Grade Finish -MGD¹

¹ Special Order Finish. Minimum order quantity (MOQ) applies. Orders less than MOQ are subject to a special paint set-up fee for the quantity ordered. Extended lead times may apply. Consult Factory.
² Special Order. Minimum order, extended lead time may apply. Consult factory.
³ Remote Power Supplies and Control Gear Required, Available with Wireless Bluetooth or DMX Control. Consult Factory for Details.
⁴ (-LVR) Hex-Cell Louver is not compatible with CleanBeam Option (-CB10).
⁵ (-SUN-INT) sensor integrated into the reflector. Consult Factory for layout assistance or alternate sensor mounting. Must be ordered with (-JB).
⁶ Special Order. Must be ordered with (-JB).
⁷ Special Order. Sent with surface mount JBOX to allow for direct-conduit entry.

347V Input with 0-10V Dimming available. Consult factory for lead times.
 Custom RAL Color: Please note that we appreciate custom finishes. Custom finishes are subject to a special paint setup fee for the quantity ordered. Extended lead times may apply. Consult Factory.

2025.06.18