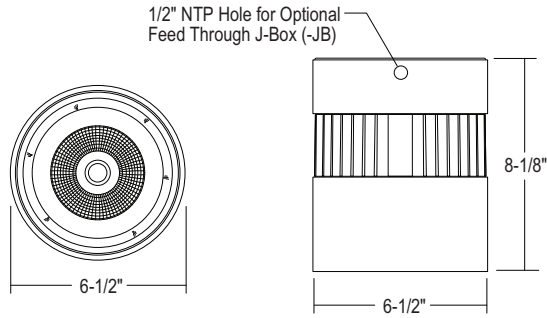
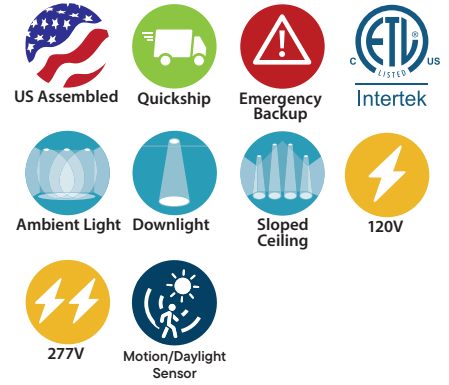


## LCALD6 : 6" LUMEN CANNON

PENDANT/ CEILING MOUNT 1100LM - 6000LM (10W-58W)



- 120V/277V Input Standard, 347V Available
- Exclusive UniDim™ Universal LED Dimming Option Works with 0-10V, ELV and Incandescent Controls
- 1% Dimming available with 120VAC, 0-10V, DALI, DMX AND Lutron Ecosystem
- Uplight Option with 120° Beam Spread
- Wide spectrum of Color Temperatures
- Sturdy Steel Fixture Housing, <8lbs
- Pendant mounting available for flat and sloped ceilings
- 10W Integral EM for 90 Min (Constant Power)
- Suitable for dry locations

### ORDERING : LCALD6W101-LU10-B30UE-DUN-C90



[Click for Full Specification Details](#)

#### LCALD6 - LCALD6EM

Fixture	Finish	Lumens	Uplight	Beam Spread	Control	CCT	Options
<b>Fixture</b>		<b>Uplight<sup>4,8</sup></b>		<b>Control</b>		<b>CCT<sup>5</sup></b>	
LCALD6	<b>Standard</b>	None	<b>Blank</b>	Non-Dimming	<b>Blank<sup>7</sup></b>	3000K (80 CRI)	<b>Blank</b>
LCALD6EM	<b>Integral EM</b>	Up to 905lm, 11W (90 CRI)	<b>-LU10</b>	TRIAC/ELV Dimming (120V)	<b>-DIN</b>	3000K (90 CRI)	<b>-C90<sup>3</sup></b>
<b>Finish</b>				1%, TRIAC/ELV Dimming (120V)	<b>-DINP1</b>	3000K (97 CRI)	<b>-C97</b>
All Black	<b>B</b>	Up to 900lm, 11W	<b>-LU10D10<sup>9</sup></b>	0-10V Dimming (120V/277V)	<b>UE-D10<sup>7</sup></b>	2700K (80 CRI)	<b>-T27</b>
All White	<b>W</b>	0-10V Dimming (90 CRI)		1%, 0-10V Dimming (120V/277V)	<b>UE-D10P1<sup>7</sup></b>	2700K (90 CRI)	<b>-T27-C90</b>
Silver/Black Fins	<b>S</b>			UniDim™ 0-10V, TRIAC/ELV Dimming (120V/277V)	<b>UE-DUN</b>	2700K (97 CRI)	<b>-T27-C97</b>
Dark Gray/Black Fins	<b>DG</b>			DMX Dimming with input via XLR5 (120V/277V)	<b>UE-DMXLR5</b>	3500K (80 CRI)	<b>-T35</b>
<b>Lumens<sup>1</sup></b>		<b>Beam Spread</b>		DMX Dimming with input via RJ45 (120V/277V)	<b>UE-DMXRJ45</b>	3500K (90 CRI)	<b>-T35-C90<sup>3</sup></b>
1100lm (10W)	<b>101</b>	Flood	<b>Blank</b>	Dali Dimming (120V/277V)	<b>UE-DLI<sup>2</sup></b>	4000K (80 CRI)	<b>-T40</b>
1500lm (15W)	<b>151</b>	10° Spot	<b>-B10</b>	Lutron Hi-Lume (120V/277V)	<b>UE-DHL<sup>2,3</sup></b>	4000K (90 CRI)	<b>-T40-C90<sup>3</sup></b>
2100lm (20W)	<b>210</b>	30° Narrow	<b>-B30</b>	5%, Ecosystem Dimming	<b>UE-DEC<sup>2,3</sup></b>	5000K (80 CRI)	<b>-T50</b>
2900lm (30W)	<b>320</b>	70° Wide	<b>-B70</b>	Athena Wireless Node (120V)	<b>-AWN</b>		<b>Options</b>
3700lm (38W)	<b>350</b>	Wall Wash	<b>-BWW</b>	UniSense - Integral Motion/Photosensor (120V)	<b>-SUN-INT</b>		None <b>Blank</b>
4300lm (44W)	<b>450</b>			UniSense - Integral Motion/Photosensor (120V/277V)	<b>-SUN-INT-1227</b>		Frosted Lens <b>-FR</b>
6000lm (58W)	<b>550<sup>6</sup></b>			Casambi Wireless Dimming	<b>-DCSM<sup>2</sup></b>		Louver <b>-LVR</b>
				BubblyNet Wireless System	<b>-DBNT<sup>2</sup></b>		Feed Through J-Box <b>-JB</b>
							Surface Mount J-Box <b>-JBS</b>

<sup>1</sup> Lumens are nominal delivered lumens. See Photometry page for exact values.  
<sup>2</sup> Special Order. Minimum order quantity (MOQ), extended lead time may apply. Consult Factory.  
<sup>3</sup> (UE-DEC) & (UE-DHL) not available for (550) lumen package.  
<sup>4</sup> Uplight is for pendant option only. Only available in 3000k, 3500k, 4000k 90 CRI. Uplight to match corresponding downlight color temperature.  
<sup>5</sup> (1) Blank: 3000K, 80CRI not available with (350) or (450) lumen package. (2) -T27: 2700K, 80CRI not available with (101), (151), (210) or (320). (3) -T27-C97: 2700K, 97CRI not available with (550). (4) -T35: 3500K, 80CRI not available with (350), (450), or (550). (5) -T40: 4000K, 80CRI not available with (550).  
<sup>6</sup> Integral Emergency (EM) not available with (550)  
<sup>7</sup> Integral Emergency (EM) is only available with (Blank), (UE-D10), & (UE-D10P1) dimming options.  
<sup>8</sup> Integral Emergency (EM) not compatible with uplight options.  
<sup>9</sup> (-LU10D10) is only compatible with (UE-D10) or (UE-D10P1) dimming.

347 Input with 0-10V available. Consult Factory for details and lead time.  
 Energy Efficient Chip-On-Board (COB) Singular LED Light source provides for smooth uniform light output, eliminating the multiple shadow effect seen by multiple LED source products.  
 Binned with 3-Step MacAdam Ellipses as recommended by Ansi Standard. Available in 2700k, 3000k, 3500k, 4000k, 5000k.  
 Custom RAL Color: Please note that we appreciate custom finishes. Custom finishes are subject to a special paint setup fee for the quantity ordered. Extended lead times may apply. Consult Factory.

### MOUNTING ACCESSORIES



See p. 5 for ordering and more detailed information on Mounting Accessories.