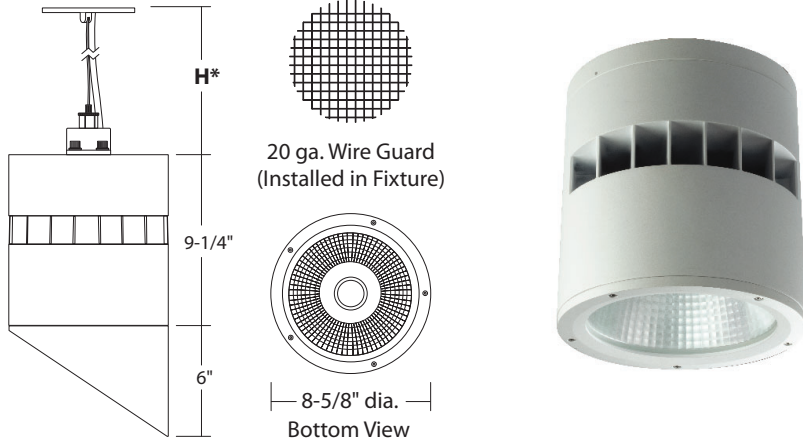


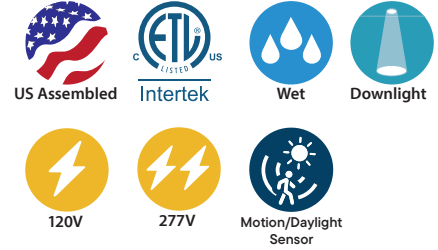
## LCALD8 : 8" LUMEN CANNON PENDANT ARCHITECTURAL DOWNLIGHT

2,900LM - 16,000LM (28W-160W)



\* Cable & Stem heights can be adjusted in the field. See instructions.

Shown with Shield Option (-SH)



- 120V/277V Input Standard, 347V Available Consult Factory
- UniDim™ Universal LED Dimming Option Works with 0-10V, ELV and Incandescent Controls
- Fixture Housing, <12lbs
- Wide spectrum of Color Temperatures and CRI
- Multiple Mounting via Stem, Cable and Elbow Joint
- Tuneable White and Warm-Dim Options Available.
- IP65
- NEW EM options available for Pendant Mounts only

### ORDERING : LCALD8B120-B40UE-DUN-T30-C90-STM12-FR

[Click for Full Specification Details](#)

#### LCALD8

Fixture	Finish	Lumens	Beam Spread	Control	Color Temperature	CRI	Mounting	Emergency Options	Options
Finish	Beam Spread	Color Temperature	Mounting <sup>3</sup>	Emergency Options					
All White <b>W</b>	Spot (15°)	2700K <b>-T27</b>	(Ceiling Only)	Pendant Mount <b>-EMB-PD</b>					
All Black <b>B</b>	Narrow Flood (25°)	3000K <b>-T30</b>	6" Stem <b>-STM6</b>	Empty <b>-EMB-</b>					
	Flood (40°)	3500K <b>-T35</b>	12" Stem <b>-STM12</b>	Pendant Mount <b>PD-</b>					
Lumens <sup>1</sup>	Wide Flood (60°)	4000K <b>-T40</b>	24" Stem <b>-STM24</b>	<b>BLANK</b>					
2,900lm (28W) <b>030</b>	Very Wide Flood (100°)	5000K <b>-T50<sup>4</sup></b>	36" Stem <b>-STM36</b>						
4,000lm (40W) <b>040</b>		Tunable White <b>-TWW<sup>2</sup></b>	48" Stem <b>-STM48</b>						
5,000lm (52W) <b>050</b>	<b>Control</b>	Warm Dimming <b>-TWD<sup>2</sup></b>	120" Cable <b>-CBL120</b>	Options					
5,800lm (60W) <b>060</b>	0-10V Dimming (120V/277V) <b>UE-D10</b>	3000K-1800K	J-box Mnt. w/ Adj. Elbow, 24" Stem <b>-STMJ24</b>	None <b>Blank</b>					
6,700lm (72W) <b>070</b>	1%, 0-10V Dimming (120V/277V) <b>UE-D10P1<sup>6</sup></b>	CRI	J-box Mnt. w/ Adj. Elbow, 36" Stem <b>-STMJ36</b>	Frosted Lens <b>-FR</b>					
7,500lm (70W) <b>075</b>	UniDim™ 0-10V, TRIAC/ELV Dimming (120V/277V) <b>UE-DUN<sup>5</sup></b>	For -TTW only <b>Blank</b>	J-box Mnt. w/ Adj. Elbow, 48" Stem <b>-STMJ48</b>	Glare Shield <b>-SH</b>					
9,000lm (80W) <b>090</b>	DMX Dimming with input via XLR5 (120V/277V) <b>UE-DMXLR5<sup>2</sup></b>	80CRI <b>-C80<sup>8</sup></b>							
10,000lm (90W) <b>100</b>	DMX Dimming with input via RJ45 (120V/277V) <b>UE-DMXRJ45<sup>2</sup></b>	90 CRI <b>-C90</b>	(Ceiling & Wall)						
12,000lm (110W) <b>120</b>	Dali Dimming (120V/277V) <b>UE-DL1<sup>2</sup></b>		J-box Mnt. w/ Adj. Elbow <b>-STMJ</b>						
16,000lm (160W) <b>160</b>	TRIAC/ELV Dimming (120V) <b>-DIN<sup>5</sup></b>		J-box Mnt. w/ Adj. Elbow, 6" Stem <b>-STMJ6</b>						
	Athena Wireless Node (120V) <b>-AWN</b>		J-box Mnt. w/ Adj. Elbow, 12" Stem <b>-STMJ12</b>						
	UniSense - Integral Motion/Photosensor (120V) <b>-SUN-INT</b>								
	UniSense - Integral Motion/Photosensor (120V/277V) <b>-SUN-INT-1227</b>								
	Casambi Wireless Dimming (120V/277V) <b>-DCSM<sup>2</sup></b>								
	BubblyNet Wireless System (120V/277V) <b>-DBNT<sup>2</sup></b>								

<sup>1</sup> Lumens are nominal delivered lumens. See Photometry page for exact values.

<sup>2</sup> Special Order. Minimum order quantity (MOQ), extended lead time may apply. Consult Factory.

<sup>3</sup> Stem and cable are field adjustable. See instructions.

<sup>4</sup> (-T50) only available in 80 CRI (-C80).

<sup>5</sup> (UE-DUN) and (-DIN) not available with (090), (100), (120), and (160) Lumen packages.

<sup>6</sup> (UE-D10P1) not available with (160) Lumen package.

<sup>7</sup> (-B15) & (-B25) only available with (030), (040), (050), (060), and (070) Lumen packages.

<sup>8</sup> (-C80) not available with (-T35) and (-T40) for (030), (040), (050), (060), and (070) Lumen packages.

347 Input with 0-10V available. Consult Factory for details and lead time.

Energy Efficient Chip-On-Board (COB) Singular LED Light source provides for smooth uniform light output, eliminating the multiple shadow effect seen by multiple LED source products. Binned with 3-Step MacAdam Ellipses as recommended by Ansi Standard. Available in 2700k, 3000k, 3500k, 4000k, 5000k.

Custom RAL Color: Please note that we appreciate custom finishes. Custom finishes are subject to a special paint setup fee for the quantity ordered. Extended lead times may apply. Consult Factory.