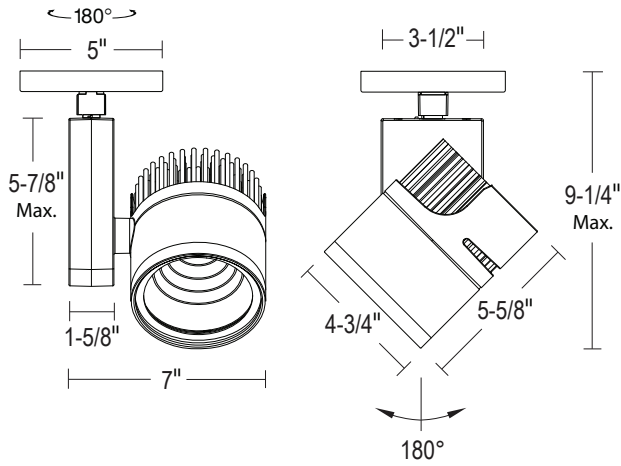


## LCD7460 : APOLLO 60 CANOPY MOUNT LED TRACK HEAD 6000LM (60W)



- Fully die-cast for high quality, long-lasting beauty
- 3 beam spread options for fine tuning footcandle distribution
- Powerful 6000 lumen output lights objects and spaces near and far
- T4 & T6 performance in a long life, cool running LED track head
- Available with Tool-less field changeable optics

### ORDERING : LCD7445B-DLV-B15-T27

[Click for Full Specification Details](#)

#### LCD7445

Fixture	Finish	Control	Beam Spread	Color Temperature	Accessories	Connector Option
	<b>Finish</b>	<b>Control</b>	<b>Beam Spread</b>	<b>Color Temperature</b>	<b>Option</b>	
	All Black <b>B</b>	Non-Dimming (120V)	Spot <b>-B15</b>	2700K (90 CRI) <b>-T27</b>	None <b>Blank</b>	
	Bright White/Black Heat Sink <b>W</b>	UniDim™ 0-10V, TRIAC/ELV Dimming (120V/277V)	Narrow Flood <b>-B25</b>	3000K (90 CRI) <b>-T30</b>	MR16 Hex Louver <b>-LVR*</b>	
		DMX Dimming with input via LED driver (shared input/output ports) (120V/277V)	Flood <b>-B45</b>	3000K (97 CRI) <b>-T30-C97</b>		
		Athena Wireless Node (120V)	Wide Flood <b>-B60</b>	3500K (90 CRI) <b>-T35</b>	<b>Connector Option</b>	
		UniSense - Remotely Mounted Motion/Photosensor (120V)		4000K (90 CRI) <b>-T40</b>	1CCT Connector <b>Blank</b>	
		UniSense - Remotely Mounted Motion/Photosensor (120V/277V)			2CCT/2NT Connector <b>-2C2N</b>	
		BubblyNet Wireless System (120V/277V)			3CCT/1NT Connector <b>-3C1N</b>	

2025.09.26

\*Special Order  
 ^ Must be ordered with compatible Input Voltage Dimming Option.  
 Available with 277V input & Multi-Circuit Track. Consult Factory.