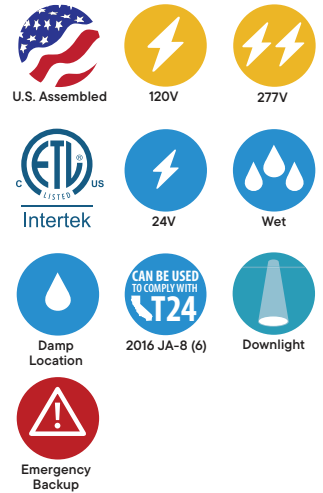
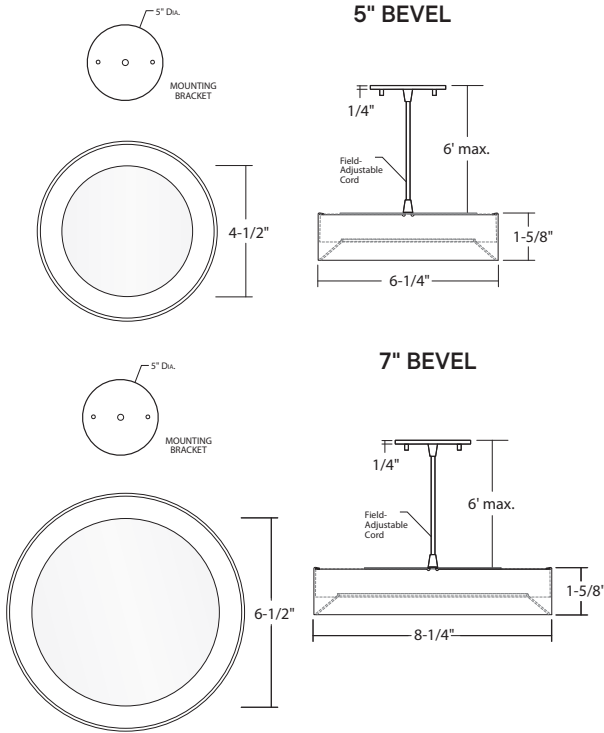


## LCMPD-BVL-RP : 5" & 7" ROUND BEVEL LUMENPAD PENDANT

1000LM - 1400LM (11W - 14W)



- New Bevel Trim Tapered Design
- Complements modern and architectural interiors
- Robust anodized color finishes
- WET LOCATION – For covered ceiling mount only
- Multiple Wireless Control Options
- Remote Emergency Available
- Various Color Temperatures and ColorSelect
- Low Glare

### ORDERING : LCMPD-BVL-5RPW-TS27

[Click for Full Specification Details](#)

Fixture	Finish	Control	Color Temperature	Emergency Options	Mounting
<b>Fixture</b>		<b>Uplight</b>	<b>Color Temperature</b>	<b>Emergency Options</b>	<b>Emergency Options</b>
5" Round Bevel LumenPad Pendant 1000lm (11W)	<b>LCMPD-BVL-5RP</b>	None 1000lm	<b>Blank</b> <b>-LU10<sup>8</sup></b>	2700K (90 CRI) <b>-TS27</b> 3000K (90 CRI) <b>-TS30</b> 3500K (90 CRI) <b>-TS35</b> 4000K (90 CRI) <b>-TS40</b> 5000K (90 CRI) <b>-TS50</b>	None <b>Blank</b> Remote Location <b>-EMAC<sup>3,4</sup></b> Emergency System
7" Round Bevel LumenPad Pendant 1400lm (14W)	<b>LCMPD-BVL-7RP</b>	<b>Control</b> TRIAC/ELV Dimming (120V) 0-10V Dimming (120V/277V) PWM Dimming (24VDC) Casambi Wireless Dimming (120V/277V) BubblyNet Wireless System (120V/277V) Athena Wireless Node (120V)	<b>Blank<sup>2</sup></b> <b>UE-D10<sup>6</sup></b> <b>-PWM</b> <b>-DCSM</b> <b>-DBNT</b> <b>-AWN</b>	Color Select 2700K/3000K/3500K/4000K/5000K (90 CRI) <b>-TS2750</b> RGB+W Color Changing <b>-RGBWV24<sup>5</sup></b> Blue LED only <b>-TBL<sup>5</sup></b> Green LED only <b>-TGR<sup>5</sup></b> Red LED only <b>-TRD<sup>5</sup></b>	<b>Mounting</b> Surface JBox Mount <b>Blank</b> 1CCT/1INT Connector <b>-1C1N</b> 2CCT/2INT Connector <b>-2C2N</b> 3CCT/1INT Connector <b>-3C1N</b>
<b>Finish<sup>7</sup></b>					
White	<b>W<sup>1</sup></b>				
Black	<b>B</b>				
Silver	<b>S<sup>1</sup></b>				
Bronze	<b>BZ</b>				
Matte Gold	<b>MG<sup>1</sup></b>				

<sup>1</sup> Special Order Finish. Minimum order quantity (MOQ) applies. Orders less than MOQ are subject to a special paint set-up fee for the quantity ordered. Extended lead times may apply. Consult Factory.

<sup>2</sup> California Title 24/JA8 compliant with (Blank) TRIAC/ELV Dimming (120V) only.

<sup>3</sup> Remote Location Emergency System only available for (UE-D10).

<sup>4</sup> Check Wiring Diagram for Remote Emergency Backup.

<sup>5</sup> (-RGBW24), (-TBL), (-GR), and (-TRD) must be ordered with (-PWM) controls and only available with LCMPD-BVL-7RP.

<sup>6</sup> Requires 4" Octagon Electrical Box, 2-1/8" deep min. to install this luminaire.

<sup>7</sup> Silver, Bronze, and Matt Gold finish comes standard with Black pendant mounting bracket and cord.

<sup>8</sup> Uplight option -LU10 is (120V) input only.