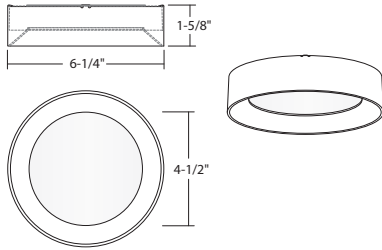
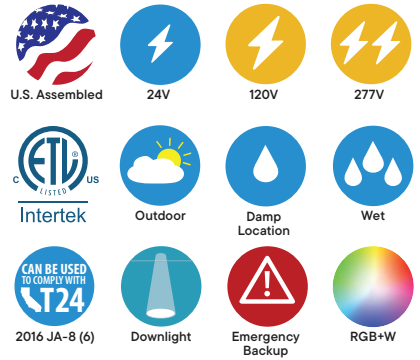
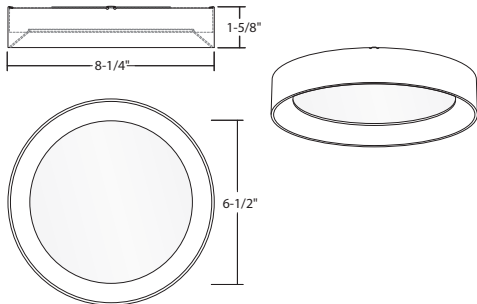


LCMPD-BVL : 5" & 7" ROUND BEVEL LUMENPAD 1000LM - 1400LM (11W - 14W)

5" BEVEL



7" BEVEL



- New Bevel Trim Tapered Design
- Complements modern and architectural interiors
- Robust anodized color finishes
- WET LOCATION – For covered ceiling mount only
- Multiple Wireless Control Options
- Remote Emergency Available
- Various Color Temperatures and ColorSelect
- Low Glare

ORDERING : LCMPD-BVL-5RW-TS27

[Click for Full Specification Details](#)

Fixture	Finish	Control	Color Temperature	Emergency Options	
Fixture		Control	Color Temperature	Emergency Options	
5" Round Bevel LumenPad 1000lm (11W)	LCMPD-BVL-5R	TRIAC/ELV Dimming (120V) 0-10V Dimming (120V/277V) PWM Dimming (24VDC)	Blank ³ UE-D10 -PWM	2700K (90 CRI) -TS27 3000K (90 CRI) -TS30 3500K (90 CRI) -TS35	None Remote Location Emergency System
7" Round Bevel LumenPad 1400lm (14W)	LCMPD-BVL-7R	Casambi Wireless Dimming (120V/277V) BubblyNet Wireless System (120V/277V) Athena Wireless Node (120V)	-DCSM -DBNT -AWN	4000K (90 CRI) -TS40 5000K (90 CRI) -TS50 ⁶ Color Select 2700K/3000K/3500K/4000K/5000K (90 CRI) -TS2750 ⁶ RGB+W Color Changing -RGBWV24 ⁷ Blue LED only -TBL ⁷ Green LED only -TGR ⁷ Red LED only -TRD ⁷	Blank -EMAC ^{4,5}
Finish					
White	W²				
Black	B				
Silver	S²				
Bronze	BZ				
Matte Gold	MG²				

2026.01.21

¹ Special order. Minimum Order, Extended lead time may apply. Consult Factory.
² Special Order Finish. Minimum order quantity (MOQ) applies. Orders less than MOQ are subject to a special paint set-up fee for the quantity ordered. Extended lead times may apply. Consult Factory.
³ California Title 24/JA8 compliant with (Blank) TRIAC/ELV dimming (120V) only.
⁴ Remote Location Emergency System only available for (UE-D10).
⁵ Check Wiring Diagram for Remote Emergency Backup.
⁶ TRIAC/ELV Dimming (120V) not available for -TS2750 and -TS50.
⁷ (-RGBW24), (-TBL), (-GR), and (-TRD) must be ordered with (-PWM) controls and only available with LCMPD-BVL-7R.