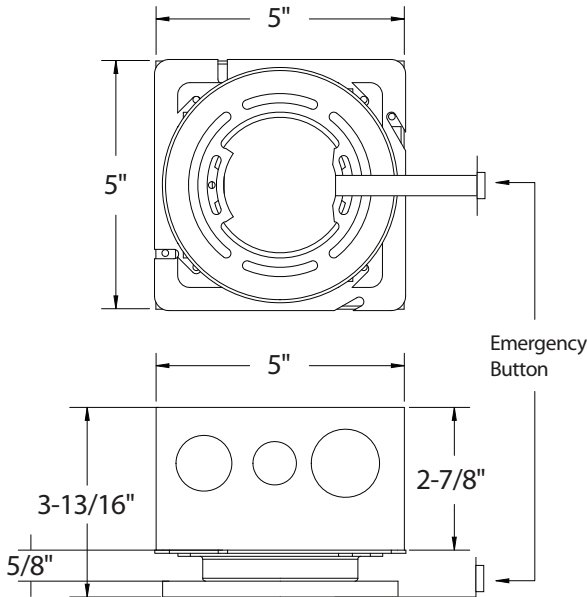


## LCMPD-REMA : LUMENPAD RECESSED EMERGENCY BACK UP



- Maintains clean and cohesive ceiling aesthetics.
- Provides reliable emergency illumination for safety and code compliance.
- Reduces installation costs by eliminating blank boxes.
- Ideal for commercial, hospitality, and architectural spaces.
- Built for durability with a long-lasting battery and sturdy construction.
- Simplifies testing and maintenance with built-in controls.

### TECHNICAL SPECIFICATIONS:



[Click for Full Specification Details](#)

Output Power	15 Watts (Max)
Input Power	8 Watts (Max)
Output Voltage	100 VAC Only for use with 120V and 120-277V fixtures. This backup cannot be used with 277V only fixtures.
Emergency Operation	≥ 90 minutes
Operating Temp	0°C to 50°C
Input Voltage	120 VAC, 60 Hz
Battery	High Temp Lithium battery 24 Hour Recharge
UL Conditions of Acceptability	Must be factory wired. Battery temperature must not exceed 50°C. <b>Suitable for damp locations, indoors only.</b>

2025.04.03

### COMPATABILITY



**LCMPD5R**  
5" LumenPad Round LED  
Downlight Surface Mount



**LCMPD5Q**  
5" LumenPad Square LED  
Downlight Surface Mount



**LCMPD7Q**  
7" LumenPad Square LED  
Downlight Surface Mount



**LCMPD7R**  
7" LumenPad Round LED  
Downlight Surface Mount