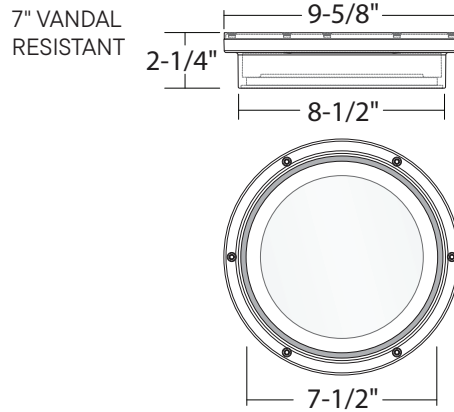
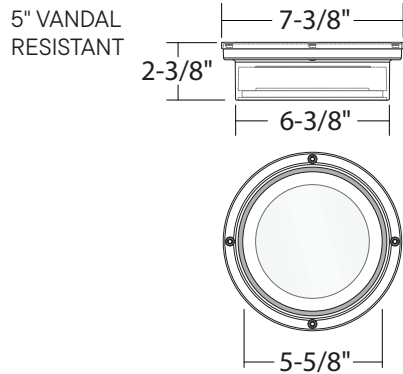


LCMPD-VR : 5" & 7" VANDAL RESISTANT/ IP65 LUMENPAD

1000LM - 1400LM (11W - 14W)



- U.S. Assembled
- 120V
- 277V
- 24V
- ETL US Intertek
- Outdoor
- IP65
- Damp Location
- Wet
- CAN BE USED TO COMPLY WITH 2016 JA-8 (6)
- Downlight
- Tamper Resistant
- IK08
- IK06
- Daylight Sensor
- Motion/Daylight Sensor
- Vandal Resistant
- Coming Soon

- Remote Emergency Available
- IP65 Rated
- Tamper Resistant Fasteners
- Vandal Resistant
- IK08 Option Available
- Various Color Temperatures and ColorSelect
- For 5", Achieve up to 14' Fixture Spacing at 10' Mounting Height while maintaining a min. of 2 fc at egress
- For 7", Achieve up to 18' Fixture Spacing at 10' Mounting Height while maintaining a min. of 2 fc at egress

ORDERING : LCMPD-VR-5RW-TS27

[Click for Full Specification Details](#)

LCMPD-VR

Fixture	Finish	Control	Color Temperature	Impact Rating	Emergency Options	Options	Tool
Fixture		Control			Color Temperature		Impact Rating
5" Vandal Resistant/ IP65 LumenPad 1000lm (11W)	LCMPD-VR-5R	TRIAC/ELV Dimming (120V) 0-10V Dimming (120V/277V)	Blank² UE-D10		2700K (90 CRI) -TS27 3000K (90 CRI) -TS30 3500K (90 CRI) -TS35 4000K (90 CRI) -TS40 5000K (90 CRI) -TS50⁶ 2700K/3000K/3500K 4000K/5000K (90 CRI) -TS2750⁶		IK06 Blank IK08 -IK08
7" Vandal Resistant/ IP65 LumenPad 1400lm (14W)	LCMPD-VR-7R	PWM Dimming (24VDC)	-PWM		RGB+W Color Changing -RGBWV24⁷ Blue LED only -TBL⁷ Green LED only -TGR⁷ Red LED only -TRD⁷		Emergency Options None Blank Remote Location -EMAC^{4,5} Emergency System
Finish							Options
Black	B						None (Mounting Hardware by Others) Blank
White	W						Tamper Resistant & Anti-Ligature Mounting Kit -TKIT
Silver	S²						Tool
Bronze	BZ²						Tamper Resistant Hex Drive Bit /PCT087

² Special Order Finish. Minimum order quantity (MOQ) applies. Orders less than MOQ are subject to a special paint set-up fee for the quantity ordered. Extended lead times may apply. Consult Factory.

³ California Title 24/JA8 compliant with (Blank) TRIAC/ELV Dimming (120V) only.

⁴ Remote Location Emergency System only available for (UE-D10).

⁵ Check Wiring Diagram for Remote Emergency Backup.

⁶ TRIAC/ELV Dimming (120V) not available for -TS2750 and -TS50.

⁷ (-RGBW24), (-TBL), (-GR), and (-TRD) must be ordered with (-PWM) controls and only available with LCMPD-BVL-7R.