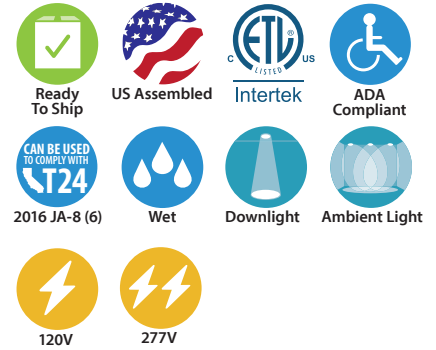
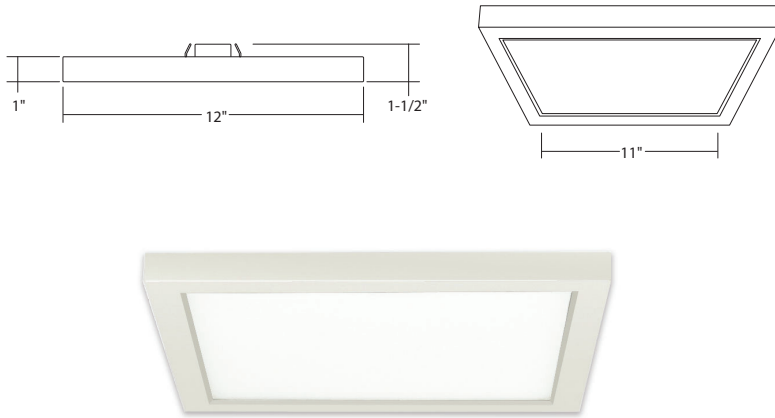


## LCMPD12Q : 12" LUMENPAD SQUARE

LED DOWNLIGHT - SURFACE MOUNT 2000lm (22W)



- Easily mounts to standard octagonal J-Box
- Super Slim 1" thick with die-cast aluminum frame
- No-glare side lit illumination
- Suitable for temperature down to -4°F/-20°C
- WET LOCATION – For covered ceiling mount only
- 3-Years Warranty
- Black, Bronze, Silver and Matt Gold finishes available
- California Title 24/JA8 Compliant

### ORDERING : LCMPD12QRWUE-D10-TS30

 [Click for Full Specification Details](#)

#### LCMPD12Q

Fixture	Finish	Control	Color Temperature
<b>Finish<sup>1</sup></b>	<b>Control<sup>2</sup></b>	<b>Color Temperature</b>	
White <b>W</b>	TRIAC/ELV Dimming (120V)	<b>Blank<sup>2</sup></b>	2700K (90 CRI) <b>-TS27</b>
Black <b>B</b>	Non-Dimming (277V)	<b>-27</b>	3000K (90 CRI) <b>-TS30</b>
Silver <b>S</b>	0-10V Dimming (120V/277V)	<b>UE-D10<sup>4</sup></b>	3500K (90 CRI) <b>-TS35</b>
Bronze <b>BZ</b>	Athena Wireless Node (120V)	<b>-AWN<sup>6</sup></b>	4000K (90 CRI) <b>-TS40</b>
Matt Gold <b>G<sup>5</sup></b>	Casambi Wireless Dimming (120V/277V)	<b>-DCSM<sup>6</sup></b>	5000K (90 CRI) <b>-TS50</b>
	BubblyNet Wireless System (120V/277V)	<b>-DBNT<sup>6</sup></b>	ColorSelect 2700K/ 3000K/3500K/4000K/ 5000K (90 CRI) <b>-TS2750</b>

2026.01.20

<sup>1</sup> Field paintable ring options available. Consult factory.  
<sup>2</sup> California Title 24/JA8 compliant with (Blank) TRIAC/ELV dimming (120V) only.  
<sup>3</sup> Requires 4" Octagon Electrical Box, 2-1/8" deep min. to install this luminaire.  
<sup>4</sup> Remote Emergency Battery Back Up Option only available for (UE-D10).  
<sup>5</sup> Special Order. Extended lead time.  
<sup>6</sup> Special Order. Must be ordered with LCMP7Q-EMA-BLANK.

### ACCESSORIES

#### LCMPD7Q-JB

1.34"H x 8.125" Sq.  
 Die-cast aluminum J-Box  
 with up to (4) 7/8" holes  
 for conduit fittings

