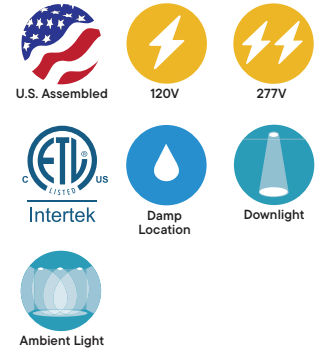
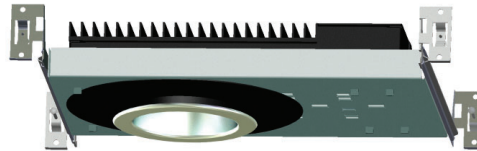
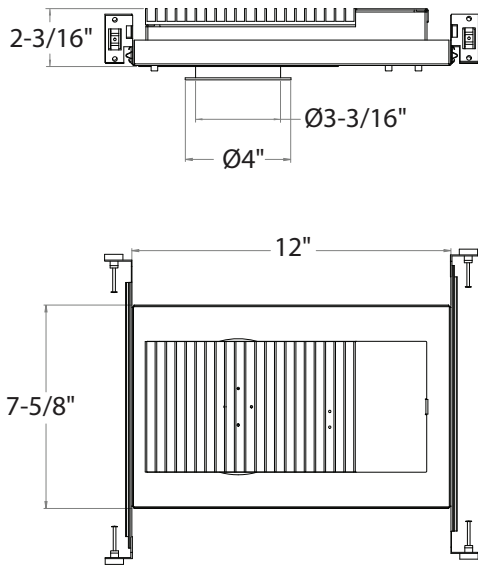


LHABLD25 : 2.5" LUMENBLAST SUPER SHALLOW OPEN DOWNLIGHTS, ROUND, 1000LM - 3000LM



- Low Glare Design
- Highly efficient COB (Chip on Board) LED
- For Super Shallow 2-3/16" ceiling
- Small 2.5" aperture
- Fits Round Trims

ORDERING : LHABLD2510C025-DIN-B15-T27/LRB25SSF

[Click for Full Specification Details](#)

LHABLD25

Fixture	Lumens	Control	Beam Spread	Color Temperature	Trim				
Lumens	Control	Beam Spread	Color Temperature	Trim					
1000lm (10W)	10C025	Non-Dimming (120V)	Blank	15° Spot	-B15	2700K (80 CRI)	-T27	All Satin	LRB25SSF
1000lm (10W) (IC RATED)	10C025-IC	TRIAC/ELV Dimming (120V)	-DIN	25° Narrow Flood	-B25	2700K (97 CRI)	-T27-C97¹	Satin Haze/ White	LRB25SWF
1500lm (15W)	15C035	0-10V Dimming (120V/277V)	UE-D10	35° Flood	-B35	3000K (80 CRI)	-T30	All White	LRB25WWF
1500lm (15W) (IC RATED)	15C035-IC	1%, 0-10V Dimming (120V/277V)	UE-D10P1	50° Wide Flood	-B50	3000K (97 CRI)	-T30-C97¹	All Black	LRB25BBF
2000lm (20W)	20C050	UniDim™ 0-10V, ELV, Triac Dimming (120V/277V)	UE-DUN			3500K (90 CRI)	-T35		
3000lm (30W)	30C070					4000K (90 CRI)	-T40		

2026.04.15

¹ Special order. Minimum Order. Extended lead time may apply. Consult Factory.