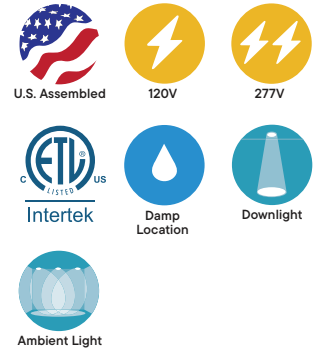
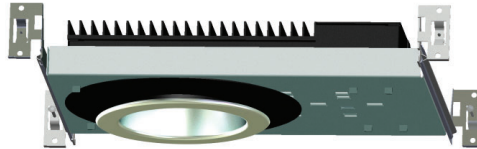
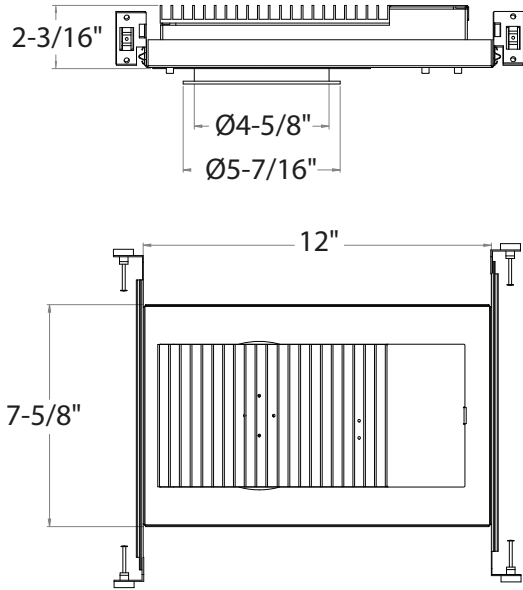


LHABSHLD4 : 4" SUPER SHALLOW LUMENBLAST OPEN DOWNLIGHTS, ROUND, 1200LM - 3000LM (10W-30W)



- Low Glare Design
- Highly efficient COB (Chip on Board) LED
- For Super Shallow 2-3/16" ceiling
- Small 4" aperture
- Fits Round Trims

ORDERING : LHABSHLD410C025-DIN-B15-T27/LRBSHL4SSF



[Click for Full Specification Details](#)

LHABSHLD4

Fixture	Lumens	Control	Beam Spread	Color Temperature	Trim	
1200lm (10W)	12C025	Non-Dimming (120V)	Blank	15° Spot -B15	2700K (80 CRI) -T27	All Satin LRBSHL4SSF
1200lm (10W) (IC RATED)	12C025-IC	TRIAC/ELV Dimming (120V)	-DIN	25° Narrow Flood -B25	2700K (97 CRI) -T27-C97¹	Satin Haze/ White LRBSHL4SWF
1800lm (15W)	18C035	0-10V Dimming (120V/277V)	UE-D10	35° Flood -B35	3000K (80 CRI) -T30	All White LRBSHL4WWF
1800lm (15W) (IC RATED)	18C035-IC	1%, 0-10V Dimming (120V/277V)	UE-D10P1	50° Wide Flood -B50	3000K (97 CRI) -T30-C97¹	All Black LRBSHL4BBF
2400lm (20W)	24C050	UniDim™ 0-10V, ELV, Triac Dimming (120V/277V)	UE-DUN	3500K (90 CRI) -T35	4000K (90 CRI) -T40	
3000lm (30W)	30C070					

2026.02.16

¹ Special order. Minimum Order. Extended lead time may apply. Consult Factory.