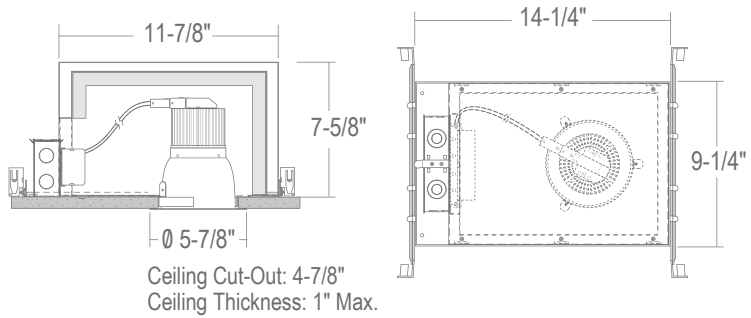


LHFRLD4: 4" C-SERIES

IC FIRE-RATED DOWNLIGHT, 1000LM-3500LM (8W-30W)



- Patented dual-layer housing with one-hour fire rating
- IC Rated and Airtight
- Heavy Duty Self-Flanged Reflector
- Soft Even Lumen Distribution
- Sound Rated: Constructed to dampen unwanted noise

ORDERING : Example: LHFRLD410UE-D10-EM/CR4L17SW-T27

[Click for Full Specification Details](#)

LHFRLD4xx	Housing	Control	Emergency Option	Reflector	Reflector Finish	CCT
	Housing ¹			Reflector ¹	Reflector Finish	CCT
1000lm (8W)	LHFRLD408 [Options]			/CR4L17	Satin Haze Reflector/ SW	2700K, 84 CRI -T27
1800lm (18W)	LHFRLD410 [Options]			/CR4L17	White Finish	3000K, 84 CRI -T30
2300lm (22W)	LHFRLD418 [Options]			/CR4L17	White Reflector/ WW	3500K, 84 CRI -T35
2700lm (28W)	LHFRLD428 [Options]			/CR4L17	White Finish	4000K, 84 CRI -T40
3000lm (28W)	LHFRLD429 [Options]			/CR4L30	All Black BB	
3500lm (30W)	LHFRLD430 [Options]			/CR4L30	Clear Specular Reflector/White Finish CW	
					All Satin Haze SS	

Options

Control ²		Emergency Options	
0-10V Dimming	UE-D10	None	Blank
UniDim™ 0-10V, ELV, Triac Dimming	UE-DUN	10W Emergency Battery	-EM
Lutron Hi-lume	UE-DHL	Full Power Emergency Inverter	-EMAC⁶
DMX 0.1% Dimming	UE-DMX	Full Power Emergency Inverter (347V)	-EMAC347⁶
Athena Wireless Node (120V)	-AWN	GTD Device	-GTD
Athena Wireless Node Occupancy Sensor (120V)	-AWN-OCC		
UniSense - Remotely Mounted Motion/Photosensor (120V)	-SUN-RMT⁴		
UniSense - Remotely Mounted Motion/Photosensor	-SUN-RMT-1227⁴		
Casambi Wireless Dimming	-DCSM⁵		
BubblyNet Wireless System	-DBNT⁵		
Lutron Vive Wireless Dimming Module	-VIVE⁵		

¹ Housing must match corresponding Reflector in column to right.
² All drivers are 120V/277V unless otherwise noted.
³ Access above ceiling required for EM2.
⁴ (-SUN-RMT) sensor sent with mounting clips for existing ceiling applications.
⁵ Special Order.
⁶ Check wiring diagrams.

COMPATABILITY



2025.10.29