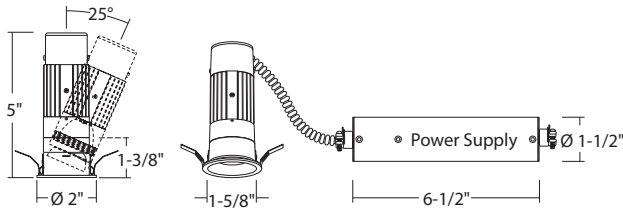
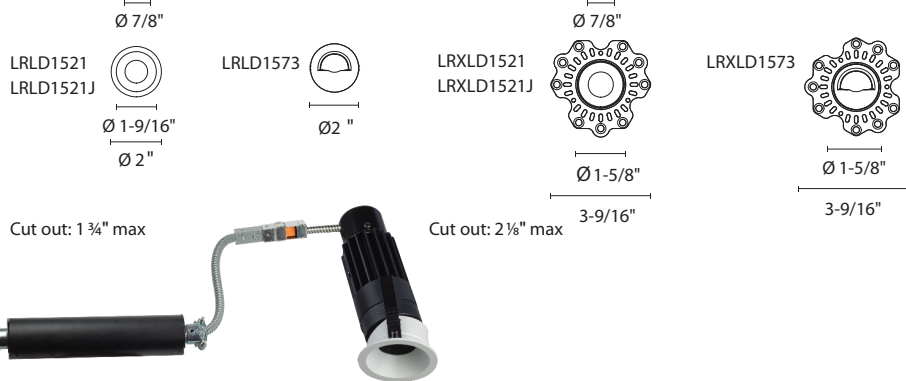


## LRLD15: 1.5" P-SERIES

MICRO RECESSED LED, ROUND APERTURE, 600LM/1000LM (8W/12W)



- 1.5" Micro-Aperture
- 1000lm (12W) option
- Dichroic Color Lens Options available
- Integral, Remote or Panel Box Power Supplies available
- Quick Ship Options available
- New Dim-to-Warm LED option available
- New Multiple Wireless Control Options available
- New Updated Pricing



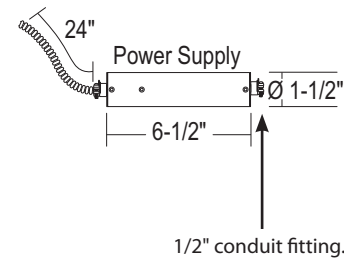
Cut out: 1 3/4" max

Cut out: 2 1/8" max

[Click for Full Specification Details](#)

Trim	Finish	Lumens	Beam	Color Temperature	Rating	Accessories	New Construction Frames
<b>Trim</b>	<b>Finish</b>	<b>Lumens</b>	<b>Beam</b>	<b>Color Temperature</b>	<b>Rating</b>	<b>Accessories</b>	
<b>FLANGED</b>	Black	<b>B</b>	Wallwash only	<b>Blank</b>	2400K (90 CRI)	<b>-T24<sup>4</sup></b>	Clear Glass Lens <b>Blank</b>
Downlight <b>LRLD1521</b>	White	<b>W</b>	15° Beam	<b>-B15<sup>1</sup></b>	2700K (90 CRI)	<b>-T27</b>	Red Glass Lens <b>-RL-15</b>
Adjustable Downlight <b>LRLD1521J<sup>2</sup></b>	Matte Gold	<b>MG<sup>1</sup></b>	20° Beam	<b>-B20</b>	3000K (90 CRI)	<b>-T30</b>	Yellow Glass Lens <b>-YL-15<sup>1</sup></b>
Downlight	Custom Color	<b>CC<sup>1</sup></b>	40° Beam	<b>-B40</b>	3500K (90 CRI)	<b>-T35</b>	Blue Glass Lens <b>-BL-15</b>
Wallwash <b>LRLD1573<sup>5</sup></b>			50° Beam	<b>-B50</b>	4000K (90 CRI)	<b>-T40</b>	Green Glass Lens <b>-GL-15</b>
					3000K-1800K (90 CRI)	<b>-TWD<sup>1,4</sup></b>	Hex Cell Louver <b>-LVR</b>
							Soft Focus <b>-SFL<sup>1</sup></b>
							Micro Prismatic <b>-MPL<sup>1</sup></b>
<b>TRIMLESS</b>	<b>Lumens<sup>3</sup></b>				<b>Rating</b>		
Downlight <b>LRXLD1521</b>	600lm (8W)	<b>-L06</b>			None	<b>Blank</b>	
Adjustable Downlight <b>LRXLD1521J<sup>2</sup></b>	1000lm (12W)	<b>-L10</b>			Airtight Lensed (Wet Location)	<b>-WL</b>	
Downlight							
Wallwash <b>LRXLD1573<sup>5</sup></b>							

Driver Setup	Lumens	Control	Emergency Options
<b>Driver Setup</b>		<b>Control</b>	<b>Control (Cont.)</b>
Integral Power Supply and Junction Box (1 Driver per Fixture)	<b>LD5INTJBX</b>	TRIAC/ELV (120V) 0-10V (120V/277V) 1%, 0-10V (120V/277V) UniDim™ 0-10V, TRIAC/ELV (120V/277V)	Unisense - Remotely Mounted Motion/Photosensor (120V/277V) Casambi Wireless Dimming (120V/277V) Athena Wireless Node (120V)
<b>Lumens<sup>3</sup></b>		Unisense - Remotely Mounted Motion/Photosensor (120V)	<b>-SUN-RMT<sup>1,6</sup></b> <b>-DCSM<sup>1,7</sup></b> <b>-AWN<sup>1,6</sup></b>
600lm (8W)	<b>-C020</b>		
1000lm (12W)	<b>-C030</b>		
			<b>Emergency Options</b>
			Remote Emergency Backup (40W) <b>-EMAC40<sup>8</sup></b>



<sup>1</sup> Special order. Minimum order. Extended lead time may apply. Consult Factory.  
<sup>2</sup> Maximum ceiling thickness is 3/4" (to allow adjustability feature).  
<sup>3</sup> (-L06) must be ordered with Power Supply Lumen Option (-C020) and (-L10) must be ordered with Power Supply Lumen Option (-C030).  
<sup>4</sup> (-TWD) and (-T24) not available with (-B15) and only available with the Power Supply Lumen option of (-C030: 1000lm (12W)).  
<sup>5</sup> Beam Spread Options not available with Wallwash trims LRLD1573/LRXLD1573.  
<sup>6</sup> (-SUN-RMT) & (-AWN) sensors sent with mounting clips for existing ceiling applications. Consult Factory for Layout Assistance.  
<sup>7</sup> For power supply, LD5INTJBX, (-DCSM) only available for (-C030) option.  
<sup>8</sup> (-EMAC40) can be wired for loads (>40W) with 0-10V dimmable driver; see page 9.  
<sup>9</sup> Consult Factory for custom pre-wired connector lengths.  
<sup>10</sup> For LD5RMTJBX power supply: (-4QC, -5QC) only compatible with Blank: TRIAC /ELV Dimming.

2026.01.28

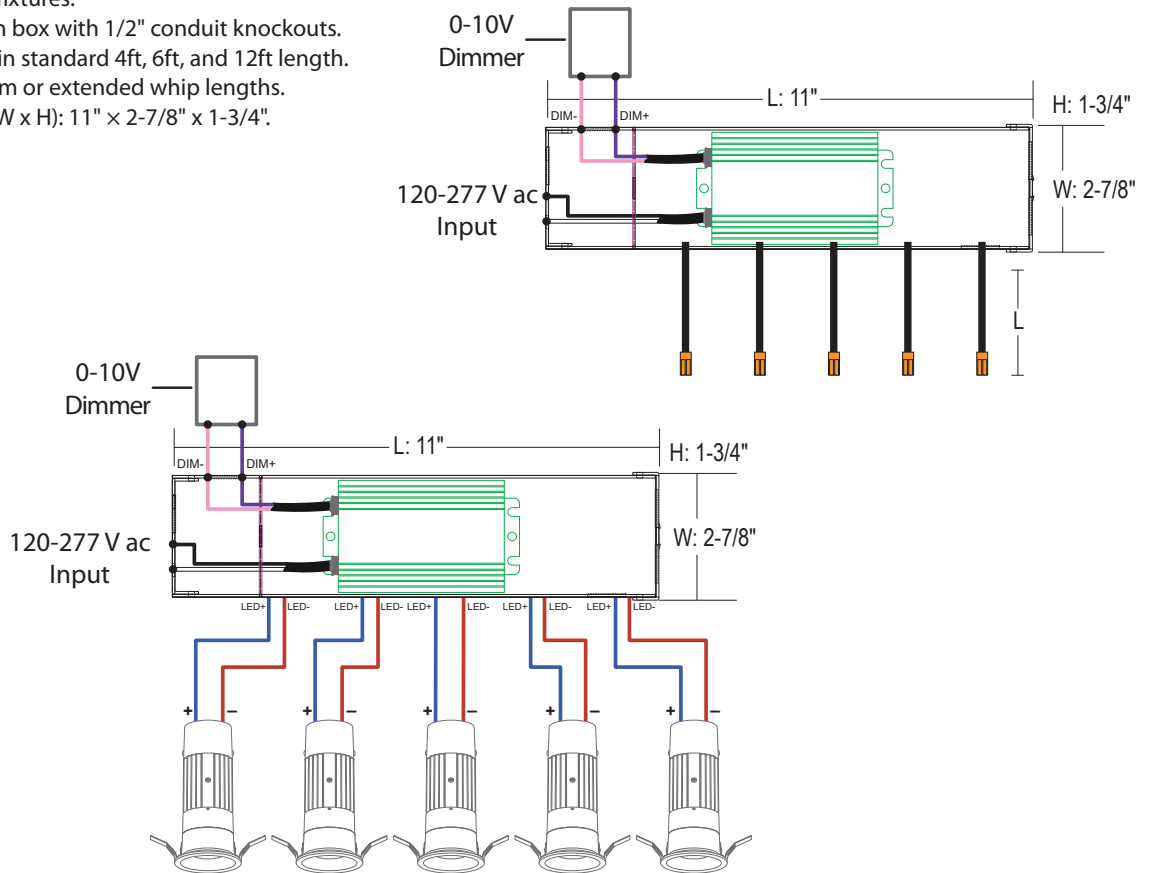
## DRIVER SETUP

### POWER SUPPLY: LD5RMTJBX

Driver Setup	Lumens	Control	Pre-Wired	Lengths	Emergency Options
<b>Driver Setup</b>		<b>Lumens<sup>3</sup></b>	<b>Control</b>		<b>Pre-Wired (Quick Connects)<sup>10</sup></b>
Remote Power Supply (1 Driver for Multiple Fixtures)	<b>LD5RMTJBX</b>	600lm (8W) <b>-C020</b> 1000lm (12W) <b>-C030</b>	TRIAC/ELV (120V) 0-10V (120V/277V) Unisense - Remotely Mounted Motion/Photosensor (120V) Unisense - Remotely Mounted Motion/Photosensor (120V/277V) Casambi Wireless Dimming (120V/277V) Bubblynet Wireless Dimming (120V/277V) Athena Wireless Node (120V)	<b>Blank<sup>10</sup></b> <b>UE-D10</b> <b>-SUN-RMT<sup>1,6</sup></b>  <b>-SUN-RMT-1227<sup>1,6</sup></b>  <b>-DCSM<sup>1</sup></b>  <b>-DBNT<sup>1</sup></b>  <b>-AWN<sup>1,6</sup></b>	2 pre-wired connectors <b>-2QC</b> 3 pre-wired connectors <b>-3QC</b> 4 pre-wired connectors <b>-4QC<sup>10</sup></b> 5 pre-wired connectors <b>-5QC<sup>10</sup></b>
					<b>Lengths (each QC)<sup>9</sup></b>
					None <b>Blank</b> 4' Total length <b>-L04</b> 6' Total length <b>-L06</b> 12' Total length <b>-L12</b>
					<b>Emergency Options</b>
					Remote Emergency Backup (40W) <b>-EMAC40<sup>8</sup></b>

### Remote Power Supply LD5RMTJBX:

- 1 Remote supply for 2-6 fixtures.
- 16 Ga aluminum junction box with 1/2" conduit knockouts.
- Pre-wired whips offered in standard 4ft, 6ft, and 12ft length.
- Consult factory for custom or extended whip lengths.
- Overall Dimensions (L x W x H): 11" x 2-7/8" x 1-3/4".



<sup>1</sup> Special order. Minimum order. Extended lead time may apply. Consult Factory.

<sup>2</sup> Maximum ceiling thickness is 3/4" (to allow adjustability feature).

<sup>3</sup> (-L06) must be ordered with Power Supply Lumen Option (-C020) and (-L10) must be ordered with Power Supply Lumen Option (-C030).

<sup>4</sup> (-TWD) and (-T24) not available with (-B15) and only available with the Power Supply Lumen option of (-C030: 1000lm (12W)).

<sup>5</sup> Beam Spread Options not available with Wallwash trims LRLD1573/LRXLD1573.

<sup>6</sup> (-SUN-RMT) & (-AWN) sensors sent with mounting clips for existing ceiling applications. Consult Factory for Layout Assistance.

<sup>7</sup> For power supply, LD5INTJBX, (-DCSM) only available for (-C030) option.

<sup>8</sup> (-EMAC40) can be wired for loads (>40W) with 0-10V dimmable driver; see page 9.

<sup>9</sup> Consult Factory for custom pre-wired connector lengths.

<sup>10</sup> For LD5RMTJBX power supply: (-4QC, -5QC) only compatible with Blank: TRIAC/ELV Dimming.

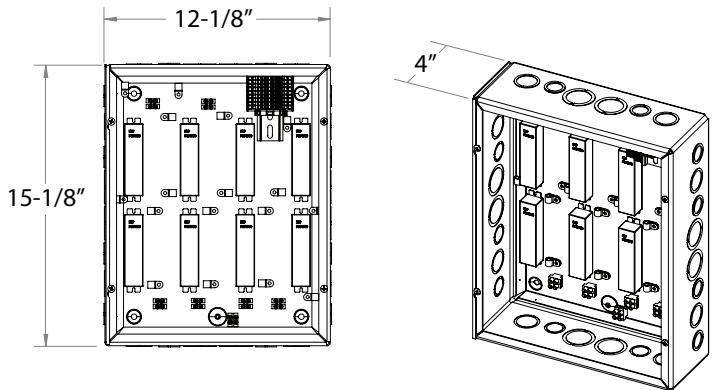
## DRIVER SETUP (Continued)

### POWER SUPPLY: LD5PNLJBX

Driver Setup	# of Drivers	Lumens	Control	Emergency Options		
<b>Driver Setup</b>	<b># of Drivers</b>	<b>Lumens<sup>3</sup></b>	<b>Control</b>	<b>Emergency Options</b>		
Remote Panel Box Up to 8 Drivers (1 Driver per Fixture)	<b>LD5PNLJBX</b>	1 Driver - <b>D01</b> 2 Drivers - <b>D02</b> 3 Drivers - <b>D03</b> 4 Drivers - <b>D04</b> 5 Drivers - <b>D05</b> 6 Drivers - <b>D06</b> 7 Drivers - <b>D07</b> 8 Drivers - <b>D08</b>	600lm (8W) - <b>C020</b> 1000lm (12W) - <b>C030</b>	TRIAC/ELV (120V) 0-10V (120V/277V) 1%, 0-10V (120V/277V) UniDim™ 0-10V, TRIAC/ELV (120V/277V) Casambi Wireless Dimming (120V/277V) BubblyNet Wireless System (120V/277V)	<b>Blank</b> <b>UE-D10</b> <b>UE-D10P1</b> <b>UE-DUN</b> <b>-DCSM<sup>1</sup></b> <b>-DBNT<sup>1</sup></b>	Remote Emergency Backup (40W) (Up to 4 fixtures) - <b>EMAC40<sup>8</sup></b>

### Remote Panel Box LD5PNLJBX:

- 1 remote panel box power supply for 1-8 fixtures.
- 16Ga Steel NEMA 1 enclosure with ANSI 61 gray powder coat finish.
- NEMA 1 enclosure can house up to (8) LED drivers.
- Box equipped with screw door and knockouts on all 4 sides for 1/2", 3/4" and 1" conduit feeds.
- Box is cULus listed with UNSPSC39121301.
- Drivers pre-wired with low-voltage LED output to DIN terminals for easy poke-in connections (12–28 AWG) and standard 0–10 V dimming.
- Multiple Boxes can be ordered for larger setups.
- Overall Dimensions (L x W x H): 15-1/8" x 12-1/8" x 4".



<sup>1</sup> Special order. Minimum order. Extended lead time may apply. Consult Factory.

<sup>2</sup> Maximum ceiling thickness is 3/4" (to allow adjustability feature).

<sup>3</sup> (-L06) must be ordered with Power Supply Lumen Option (-C020) and (-L10) must be ordered with Power Supply Lumen Option (-C030).

<sup>4</sup> (-TWD) and (-T24) not available with (-B15) and only available with the Power Supply Lumen option of (-C030: 1000lm (12W)).

<sup>5</sup> Beam Spread Options not available with Wallwash trims LRLD1573/LRXLD1573.

<sup>6</sup> (-SUN-RMT) & (-AWN) sensors sent with mounting clips for existing ceiling applications. Consult Factory for Layout Assistance.

<sup>7</sup> For power supply, LD5INTJBX, (-DCSM) only available for (-C030) option.

<sup>8</sup> (-EMAC40) can be wired for loads (>40W) with 0-10V dimmable driver; see page 9.

<sup>9</sup> Consult Factory for custom pre-wired connector lengths.

<sup>10</sup> For LD5RMTJBX power supply: (-5QC, -4QC) only compatible with Blank: TRIAC/ELV Dimming.