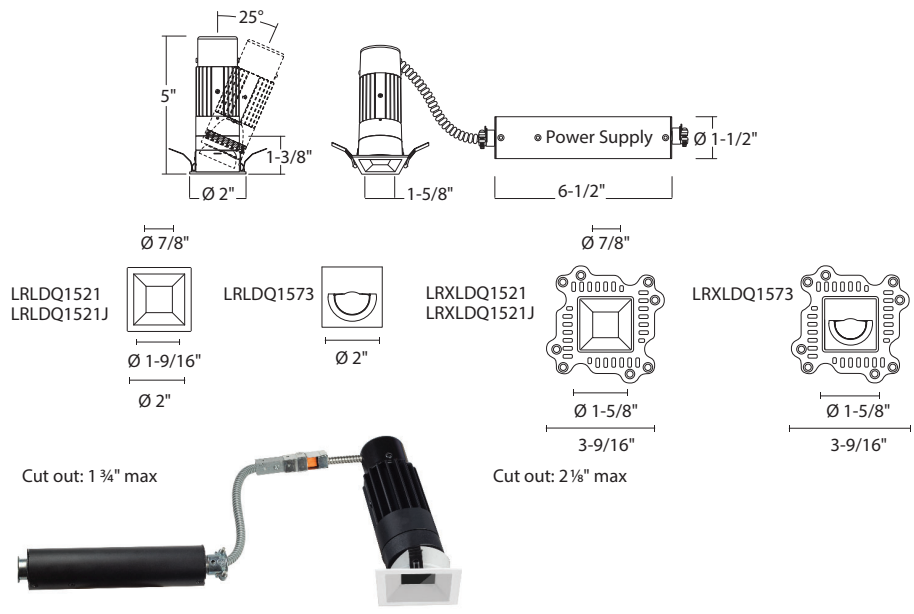


LRLDQ15 : 1.5" P-SERIES

MICRO RECESSED LED, SQUARE APERTURE, 600LM/1000LM (8W/12W)



- 1.5" Micro-Aperture
- 1000lm (12W) option
- Dichroic Color Lens Options available
- Integral, Remote or Panel Box Power Supplies available
- Quick Ship Options available
- New Dim-to-Warm LED option available
- New Multiple Wireless Control Options available
- New Updated Pricing

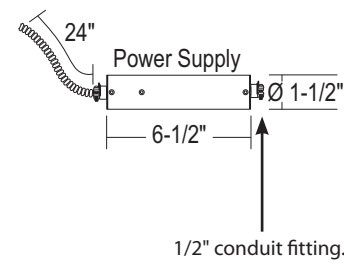


[Click for Full Specification Details](#)

Trim	Finish	Lumens	Beam	Color Temperature	Rating	Accessories	New Construction Frames
Trim	Finish	Lumens	Beam	Color Temperature	Rating	Accessories	New Construction Frames
FLANGED	Black	B	Wallwash only	Blank	2400K (90 CRI)	-T24⁴	Clear Glass Lens Blank
Downlight LRLDQ1521	White	W	15° Beam	-B15¹	2700K (90 CRI)	-T27	Red Glass Lens -RL-15
Adjustable Downlight LRLDQ1521J²	Matte Gold	MG¹	20° Beam	-B20	3000K (90 CRI)	-T30	Yellow Glass Lens -YL-15¹
Downlight	Custom Color	CC¹	40° Beam	-B40	3500K (90 CRI)	-T35	Blue Glass Lens -BL-15
Wallwash LRLDQ1573⁵			50° Beam	-B50	4000K (90 CRI)	-T40	Green Glass Lens -GL-15
					3000K-1800K (90 CRI)	-TWD^{1,4}	Hex Cell Louver -LVR
TRIMLESS	Lumens³				Rating		Soft Focus -SFL¹
Downlight LRXLDQ1521	600lm (8W)	-L06			None	Blank	Micro Prismatic -MPL¹
Adjustable Downlight LRXLDQ1521J²	1000lm (12W)	-L10			Airtight Lensed (Wet Location)	-WL	
Wallwash LRXLDQ1573⁵							

Driver Setup	Lumens	Control	Emergency Options
Driver Setup	Control	Control (Cont.)	Emergency Options
Integral Power Supply and Junction Box (1 Driver per Fixture)	LD5INTJBX	TRIAC/ELV (120V)	Blank
		0-10V (120V/277V)	UE-D10
		1%, 0-10V (120V/277V)	UE-D10P1
		UniDim™ 0-10V, TRIAC/ELV (120V/277V)	UE-DUN
		Unisense - Remotely Mounted Motion/Photosensor (120V)	-SUN-RMT^{1,6}
Lumens³			
600lm (8W)	-C020		Unisense - Remotely Mounted Motion/Photosensor (120V/277V) -DCSM^{1,7}
1000lm (12W)	-C030		Athena Wireless Node (120V) -AWN^{1,6}
			Remote Emergency Backup (40W) -EMAC40⁸

¹ Special order. Minimum order. Extended lead time may apply. Consult Factory.
² Maximum ceiling thickness is 3/4" (to allow adjustability feature).
³ (-L06) must be ordered with Power Supply Lumen Option (-C020) and (-L10) must be ordered with Power Supply Lumen Option (-C030).
⁴ (-TWD) and (-T24) not available with (-B15) and only available with the Power Supply Lumen option of (-C030: 1000lm (12W)).
⁵ Beam Spread Options not available with Wallwash trims LRLDQ1573/LRXLDQ1573.
⁶ (-SUN-RMT) & (-AWN) sensors sent with mounting clips for existing ceiling applications. Consult Factory for Layout Assistance.
⁷ For power supply, LD5INTJBX, (-DCSM) only available for (-C030) option.
⁸ (-EMAC40) can be wired for loads (>40W) with 0-10V dimmable driver; see page 9.
⁹ Consult Factory for custom pre-wired connector lengths.
¹⁰ For LD5RMTJBX power supply: (-4QC, -5QC) only compatible with Blank: TRIAC /ELV Dimming.



2026.01.26

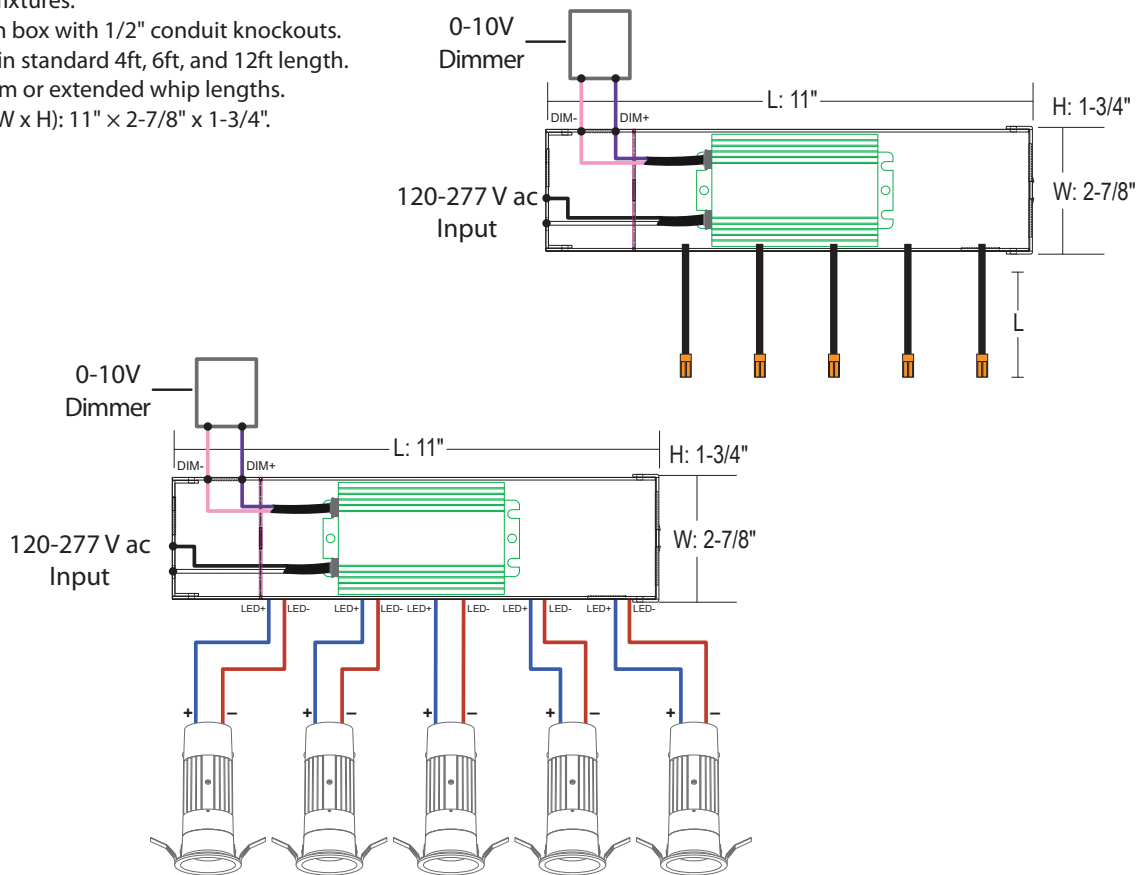
DRIVER SETUP

POWER SUPPLY: LD5RMTJBX

Driver Setup	Lumens	Control	Pre-Wired	Lengths	Emergency Options
Driver Setup		Lumens³	Control		Pre-Wired (Quick Connects)¹⁰
Remote Power Supply (1 Driver for Multiple Fixtures)	LD5RMTJBX	600lm (8W) -C020 1000lm (12W) -C030	TRIAC/ELV (120V) 0-10V (120V/277V) Unisense - Remotely Mounted Motion/Photosensor (120V) Unisense - Remotely Mounted Motion/Photosensor (120V/277V) Casambi Wireless Dimming (120V/277V) Bubblynet Wireless Dimming (120V/277V) Athena Wireless Node (120V)	Blank¹⁰ UE-D10 -SUN-RMT^{1,6} -SUN-RMT-1227^{1,6} -DCSM¹ -DBNT¹ -AWN^{1,6}	2 pre-wired connectors -2QC 3 pre-wired connectors -3QC 4 pre-wired connectors -4QC¹⁰ 5 pre-wired connectors -5QC¹⁰
					Lengths (each QC)⁹
					None Blank 4' Total length -L04 6' Total length -L06 12' Total length -L12
					Emergency Options
					Remote Emergency Backup (40W) -EMAC40⁸

Remote Power Supply LD5RMTJBX:

- 1 Remote supply for 2-6 fixtures.
- 16 Ga aluminum junction box with 1/2" conduit knockouts.
- Pre-wired whips offered in standard 4ft, 6ft, and 12ft length.
- Consult factory for custom or extended whip lengths.
- Overall Dimensions (L x W x H): 11" x 2-7/8" x 1-3/4".



¹ Special order. Minimum order. Extended lead time may apply. Consult Factory.
² Maximum ceiling thickness is 3/4" (to allow adjustability feature).
³ (-L06) must be ordered with Power Supply Lumen Option (-C020) and (-L10) must be ordered with Power Supply Lumen Option (-C030).
⁴ (-TWD) and (-T24) not available with (-B15) and only available with the Power Supply Lumen option of (-C030: 1000lm (12W)).
⁵ Beam Spread Options not available with Wallwash trims LRLDQ1573/LRXLDDQ1573.
⁶ (-SUN-RMT) & (-AWN) sensors sent with mounting clips for existing ceiling applications. Consult Factory for Layout Assistance.
⁷ For power supply, LD5RMTJBX, (-DCSM) only available for (-C030) option.
⁸ (-EMAC40) can be wired for loads (>40W) with 0-10V dimmable driver; see page 9.
⁹ Consult Factory for custom pre-wired connector lengths.
¹⁰ For LD5RMTJBX power supply: (-4QC, -5QC) only compatible with Blank: TRIAC /ELV Dimming.

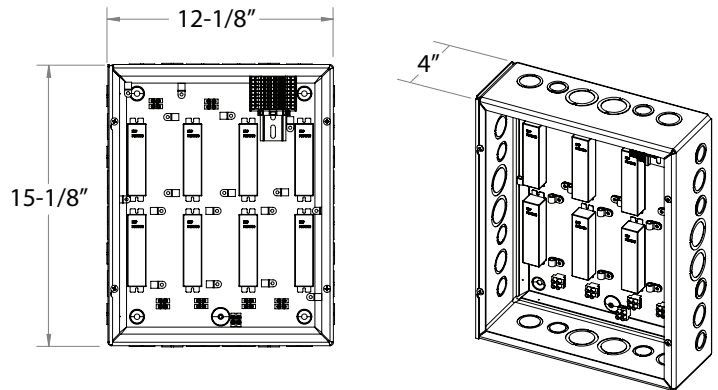
DRIVER SETUP (Continued)

POWER SUPPLY: LD5PNLJBX

Driver Setup	# of Drivers	Lumens	Control	Emergency Options		
Driver Setup	# of Drivers	Lumens³	Control	Emergency Options		
Remote Panel Box Up to 8 Drivers (1 Driver per Fixture)	LD5PNLJBX	1 Driver - D01 2 Drivers - D02 3 Drivers - D03 4 Drivers - D04 5 Drivers - D05 6 Drivers - D06 7 Drivers - D07 8 Drivers - D08	600lm (8W) - C020 1000lm (12W) - C030	TRIAC/ELV (120V) 0-10V (120V/277V) 1%, 0-10V (120V/277V) UniDim™ 0-10V, TRIAC/ELV (120V/277V) Casambi Wireless Dimming (120V/277V) BubblyNet Wireless System (120V/277V)	Blank UE-D10 UE-D10P1 UE-DUN -DCSM¹ -DBNT¹	Remote Emergency Backup (40W) (Up to 4 fixtures) -EMAC40⁸

Remote Panel Box LD5PNLJBX:

- 1 remote panel box power supply for 1-8 fixtures.
- 16Ga Steel NEMA 1 enclosure with ANSI 61 gray powder coat finish.
- NEMA 1 enclosure can house up to (8) LED drivers.
- Box equipped with screw door and knockouts on all 4 sides for 1/2", 3/4" and 1" conduit feeds.
- Box is cULus listed with UNSPSC39121301.
- Drivers pre-wired with low-voltage LED output to DIN terminals for easy poke-in connections (12–28 AWG) and standard 0–10 V dimming.
- Multiple Boxes can be ordered for larger setups.
- Overall Dimensions (L x W x H): 15-1/8" x 12-1/8" x 4".



¹ Special order. Minimum order. Extended lead time may apply. Consult Factory.

² Maximum ceiling thickness is 3/4" (to allow adjustability feature).

³ (-L06) must be ordered with Power Supply Lumen Option (-C020) and (-L10) must be ordered with Power Supply Lumen Option (-C030).

⁴ (-TWD) and (-T24) not available with (-B15) and only available with the Power Supply Lumen option of (-C030: 1000lm (12W)).

⁵ Beam Spread Options not available with Wallwash trims LRLDQ1573/LRXLQ1573.

⁶ (-SUN-RMT) & (-AWN) sensors sent with mounting clips for existing ceiling applications. Consult Factory for Layout Assistance.

⁷ For power supply, LD5INTJBX, (-DCSM) only available for (-C030) option.

⁸ (-EMAC40) can be wired for loads (>40W) with 0-10V dimmable driver; see page 9.

⁹ Consult Factory for custom pre-wired connector lengths.

¹⁰ For LD5RMTJBX power supply: (-5QC, -4QC) only compatible with Blank: TRIAC /ELV Dimming.