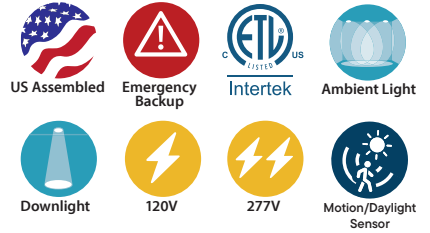
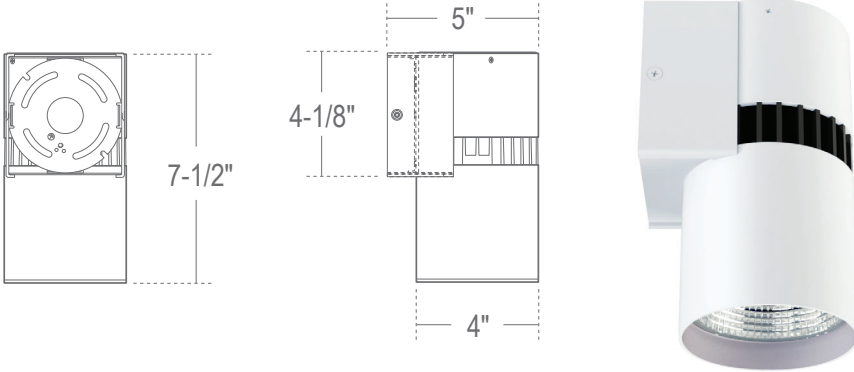


LWMLD4 : 4" LUMEN CANNON WALL MOUNT ARCHITECTURAL DOWNLIGHT

1000LM - 2600LM (10W-30W)



- 120V/277V Input Standard, 347V Available
- Exclusive UniDim™ Universal LED Dimming Option Works with 0-10V, ELV and Incandescent Controls
- 120V or 120V/277V Input Options
- Available TRIAC dimming available
- Wide spectrum of Color Temperatures
- Mounts to typical standard J-Box, perfect for ceilings up to 12'
- Small aperture and slender profile for discrete illumination
- Pendant mounting available for flat and sloped ceilings
- Suitable for dry locations
- Pre-installed Wall-Mount Brackets



ORDERING : LWMLD4010-B50-DIN-T30-C90



[Click for Full Specification Details](#)

LWMLD4

Fixture	Finish	Lumen Package	Beam Spread	Control	CCT
Finish		Beam Spread		CCT	
White/Black Fins	LWMLD4	40°	Blank	3000K (80 CRI)	Blank
All White	LWMLD4WW	50°	-B50	3000K (90 CRI)	-T30-C90
All Black	LWMLD4B	70°	-B70	3000K (97 CRI)	-T30-C97²
Lumen Package¹		Wall Wash	-BWW	2700K (90 CRI)	-T27-C90
1000lm (10W)	010	Control		2700K (97 CRI)	-T27-C97²
1400lm (14W)	140	None	Blank	3500K (80 CRI)	-T35-C80
2000lm (20W)	200	Non-Dimming (120V/277V)	UE	3500K (90 CRI)	-T35-C90
2600lm (30W)	260	0-10V Dimming (120V/277V)	UE-D10	4000K (80 CRI)	-T40-C80
		UniDim™ 0-10V, TRIAC/ELV Dimming (120V/277V)	UE-DUN	4000K (90 CRI)	-T40-C90
		TRIAC/ELV Dimming (120V)	-DIN	5000K (80 CRI)	-T50-C80
		Athena Wireless Node (120V)	-AWN	Warm Dimming	-TWD²
		UniSense - Integral Motion/Photosensor (120V)	-SUN-INT	3000K-1800K	
		UniSense - Integral Motion/Photosensor (120V/277V)	-SUN-INT-1227		
		Casambi Wireless Dimming (120V/277V)	-DCSM²		
		BubblyNet Wireless System (120V/277V)	-DBNT²		

¹ Lumens are nominal delivered lumens. See Photometry page for exact values.
² Special Order. Minimum order quantity (MOQ), extended lead time may apply. Consult Factory.

347 Input with 0-10V available. Consult Factory for details and lead time.
 Energy Efficient Chip-On-Board (COB) Singular LED Light source provides for smooth uniform light output, eliminating the multiple shadow effect seen by multiple LED source products.
 Binned with 3-Step MacAdam Ellipses as recommended by Ansi Standard. Available in 2700k, 3000k, 3500k, 4000k, 5000k.
 Custom RAL Color: Please note that we appreciate custom finishes. Custom finishes are subject to a special paint setup fee for the quantity ordered. Extended lead times may apply.
 Consult Factory.