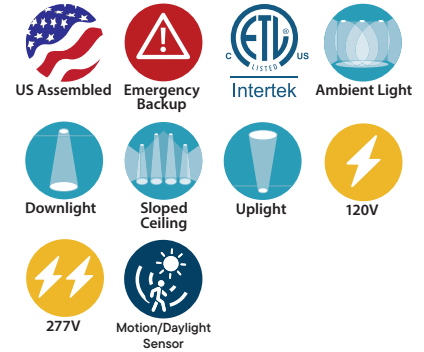
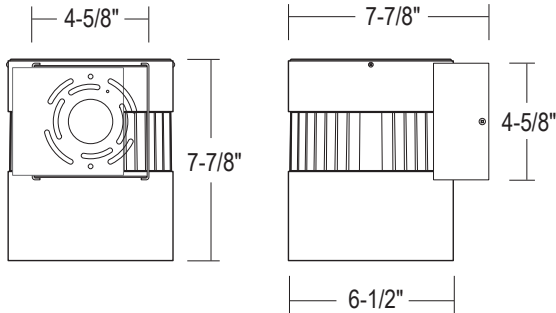


LWMLD6 : 6" LUMEN CANNON

WALL MOUNT 1100LM - 6000LM (18W-60W)



- 120V/277V Input Standard, 347V Available
- Exclusive UniDim™ Universal LED Dimming Option Works with 0-10V, ELV and Incandescent Controls
- 1% Dimming available with 120VAC, 0-10V, DALI, DMX AND Lutron Ecosystem
- Wide spectrum of Color Temperatures
- Sturdy Steel Fixture Housing, <8lbs
- Pre-Installed Wall-Mount Bracket
- Suitable for dry locations

ORDERING : LWMLD6W101-LU10-B30UE-DUN-C90



[Click for Full Specification Details](#)

LWMLD6

Fixture	Finish	Lumens	Uplight	Beam Spread	Control	CCT	Options
Finish		Beam Spread		Control		CCT⁴	
All Black	B	Flood	Blank	Non-Dimming	Blank	3000K (80 CRI)	Blank
All White	W	10° Spot	-B10	TRIAC/ELV Dimming (120V)	-DIN	3000K (90 CRI)	-C90³
Silver/Black Fins	S	30° Narrow	-B30	1% TRIAC/ELV Dimming (120V)	-DINP1	3000K (97 CRI)	-C97
Dark Gray/Black Fins	DG	70° Wide	-B70	0-10V Dimming (120V/277V)	UE-D10	2700K (80 CRI)	-T27
Lumens¹		Wall Wash	-BWW	1%, 0-10V Dimming (120V/277V)	UE-D10P1²	2700K (90 CRI)	-T27-C90
1100lm (10W)	101			UniDim™ 0-10V, TRIAC/ELV Dimming (120V/277V)	UE-DUN²	2700K (97 CRI)	-T27-C97
1500lm (15W)	151			DMX Dimming with input via XLR5 (120V/277V)	UE-DMXLR5	3500K (80 CRI)	-T35
2100lm (20W)	210			DMX Dimming with input via RJ45 (120V/277V)	UE-DMXRJ45	3500K (90 CRI)	-T35-C90³
2900lm (30W)	320			Dali Dimming (120V/277V)	UE-DLI²	4000K (80 CRI)	-T40
3700lm (38W)	350			Lutron Hi-Lume (120V/277V)	UE-DHL^{2,3}	4000K (90 CRI)	-T40-C90³
4300lm (44W)	450			5%, Ecosystem Dimming	UE-DEC^{2,3}	5000K (80 CRI)	-T50
6000lm (58W)	550			Athena Wireless Node (120V)	-AWN	Options	
				UniSense - Integral Motion/Photosensor (120V)	-SUN-INT	None	Blank
				UniSense - Integral Motion/Photosensor (120V/277V)	-SUN-INT-1227	Frosted Lens	-FR
				Casambi Wireless Dimming (120V/277V)	-DCSM²	Louver	-LVR
				BubblyNet Wireless System (120V/277V)	-DBNT²		

¹ Lumens are nominal delivered lumens. See Photometry page for exact values.
² Special Order. Minimum order quantity (MOQ), extended lead time may apply. Consult Factory.
³ (UE-DEC) & (UE-DHL) not available for (550) lumen package.
⁴ (1) Blank: 3000K, 80CRI not available with (350) or (450) lumen package. (2) -T27: 2700K, 80CRI not available with (101), (151), (210) or (320). (3) -T27-C97: 2700K, 97CRI not available with (550). (4) -T35: 3500K, 80CRI not available with (350), (450), or (550). (5) -T40: 4000K, 80CRI not available with (550).

347 Input with 0-10V available. Consult Factory for details and lead time.
 Energy Efficient Chip-On-Board (COB) Singular LED Light source provides for smooth uniform light output, eliminating the multiple shadow effect seen by multiple LED source products. Binned with 3-Step MacAdam Ellipses as recommended by Ansi Standard. Available in 2700k, 3000k, 3500k, 4000k, 5000k.
 Custom RAL Color: Please note that we appreciate custom finishes. Custom finishes are subject to a special paint setup fee for the quantity ordered. Extended lead times may apply. Consult Factory.