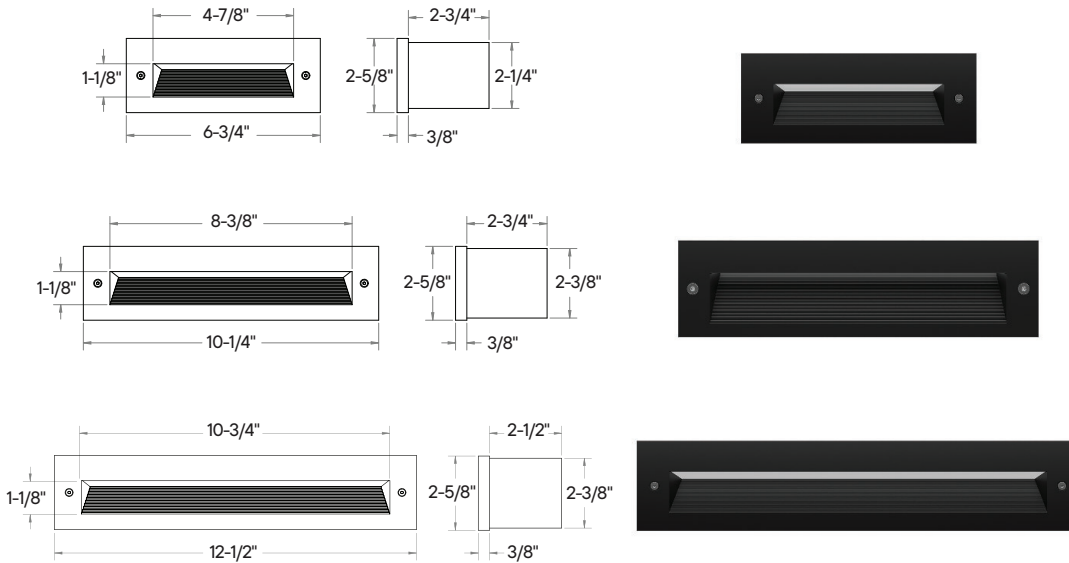


SL97 : 6"/10"/12" DARKLIGHT RECESSED STEP LIGHT 200LM/600LM/500LM (5W/10W/12W)



- Multiple Color Temperatures
- Amber Turtle Safe
- IP65 Rated
- IK08 Rated (10")
- IK10 Rated (6" & 12")
- Die-Cast Face Plate
- Several Finish Options
- Optional Marine Grade Non-Bacterial Coating
- Achieve up to 8' Fixture Spacing at 3' Mounting Height while maintaining a min. of 2 fc at egress

ORDERING : SL9710W-DIN-T27-EMAC

[Click for Full Specification Details](#)

Fixture	Finish	Control	Color Temperature	Emergency Options	Options			
6" Recessed Step Light 200lm (5W)	SL9706 ^{1,4}	Black White Bronze Silver	B W ² BZ ² S ²	0-10V Dimming (120/277Vac) ELV and Triac Dimming (120V) UniDim™ (120V/277V)	Blank -DIN UE-DUN	3000K (80 CRI) -T27 3000K (80 CRI) -T30 3500K (80 CRI) -T35 4000K (80 CRI) -T40 5000K (80 CRI) -T50	None Remote Emergency Inverter (25W)	Blank -EMAC ³
10" Recessed Step Light 600lm (10W)	SL9710							
12" Recessed Step Light 500lm (12W)	SL9712 ^{1,4}			0-10V 1% Dimming (120V/277V)	UE-D10P1	Amber - Limited Wavelength (590nm) -TAM-LVR ¹	None Marine Grade Finish	Blank -MGD ¹

¹Special Order. Minimum order, extended lead time may apply. Consult factory.

²Special Order Finish. Minimum order quantity (MOQ) applies. Orders less than MOQ are subject to a special paint set-up fee for the quantity ordered. Extended lead times may apply. Consult Factory.

³Check Wiring Diagram for Remote Emergency Backup.

⁴SL9706 and SL9712 are only available with (Blank) 0-10V dimming and (-T30), (-T40), and (-T50) color temperatures.