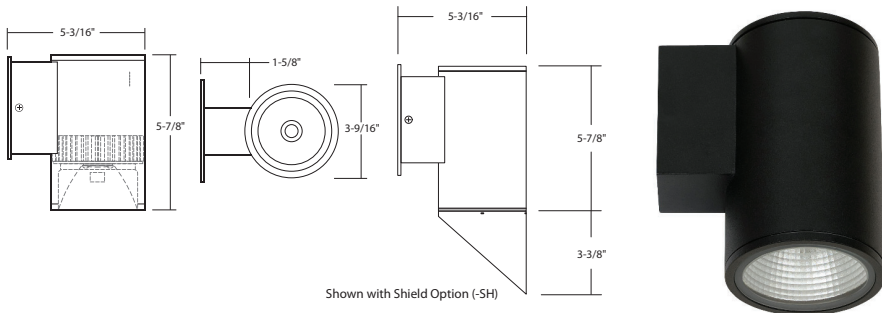


WD1340-USA: 4" ROUND

1-DIRECTION WALL MOUNT (IP65) 1000LM/1500LM (10W/15W)



• Produced in USA

- Uniform, low glare illumination
- Singular COB light source
- New integral emergency option
- 13' mtg. ht., 22' o.c. spacing (1000 lumen package)
- 25' mtg. ht., 22' o.c. spacing (1500 lumen package)
- 5-year limited warranty
- UniSense available
- Available with Type IV/Forward Throw Optics
- IK08 Rated
- New Die-Cast Mounting Plate (-WPDC4)

ORDERING : WD1340-USAB-L15-CB35UE-D10-EMAC-T30

[Click for Full Specification Details](#)

WD1340-USA

Fixture	Finish	Lumen	Optics	Control	Emergency Options	LED	Options
Finish		Optics		Control³		LED	
White (RAL 9003) W		<i>Standard Beams</i>		Non-Dimming (120V)	Blank	2700K (90 CRI)	-T27
Silver (RAL 7037) S		Wide Flood	Blank	0-10V Dimming (120V/277V)	UE-D10	3000K (90 CRI)	-T30
Bronze (RAL 8019) BZ		Narrow Spot	-B10	Emergency Options		3500K (90 CRI)	-T35
Black (RAL 9005) B		Spot	-B20	Emergency Options		4000K (90 CRI)	-T40
Light Silver (RAL 7036) LS¹		Flood	-B45	None	Blank	5000K (80 CRI)	-T50
Dark Grey (RAL 7015) DG¹		<i>CleanBeam™ Option</i>		Remote Emergency	-EMAC	Options	
Metallic Gold (RAL 1001) MG¹		10° Pencil Beam	-CB10	BackPack (Side Mount)	-EMB-SD⁶	None	Blank
Metallic Black (RAL 7021) MB¹		20° Clean Beam	-CB20	BackPack (Face Mount)	-EMB-FC⁶	Hex-Cell Louver	-LVR⁸
Lumen		35° Clean Beam	-CB35	BackPack (Empty, Side Mount)	-EMB-BLANK-SD⁵	Photocell Sensor	-SDL
1000lm (10W)	Blank	<i>Specialty Beams</i>		BackPack (Empty, Face Mount)	-EMB-BLANK-FC⁵	Surge Protector	-SRG
1500lm (15W)	-L15	Wall Wash	-BWW			Cold Weather	-CW^{4,6}
		Forward Throw (Type IV)	-BIV			Glare Shield	-SH
		Type II (30° x 60°)	-BII²			Marine Grade Finish	-MGD¹
						Die-Cast Oversized Mounting Plate	-WPDC4

¹Special Order Finish. Minimum order quantity (MOQ) applies. Orders less than MOQ are subject to a special paint set-up fee for the quantity ordered. Extended lead times may apply. Consult Factory.

²Special Order. Minimum order quantity (MOQ), extended lead time may apply. Consult Factory.

³Standard driver minimum starting temperature is -10°C / 14°F.

⁴Cold Weather Start (-CW) Starting Temperature -30°C / -22°F.

⁵Blank EM enclosure available for non-EM units to provide a seamless design aesthetic when EM enabled products are installed.

⁶(-EMB-SD) and (-EMB-FC) are not compatible with (-CW) option.

⁸(-LVR) Hex-Cell Louver is not compatible with CleanBeam Options (-CB10), (-CB20), (-CB35).

347 Input with 0-10V available. Consult Factory for details and lead time.

Energy Efficient Chip-On-Board (COB) Singular LED Light source provides for smooth uniform light output, eliminating the multiple shadow effect seen by multiple LED source products.

Binned with 3-Step MacAdam Ellipses as recommended by Ansi Standard. Available in 2700K, 3000K, 3500K, 4000K, and 5000K.

Custom RAL Color: Please note that we appreciate custom finishes. Custom finishes are subject to a special paint setup fee for the quantity ordered. Extended lead times may apply. Consult Factory.