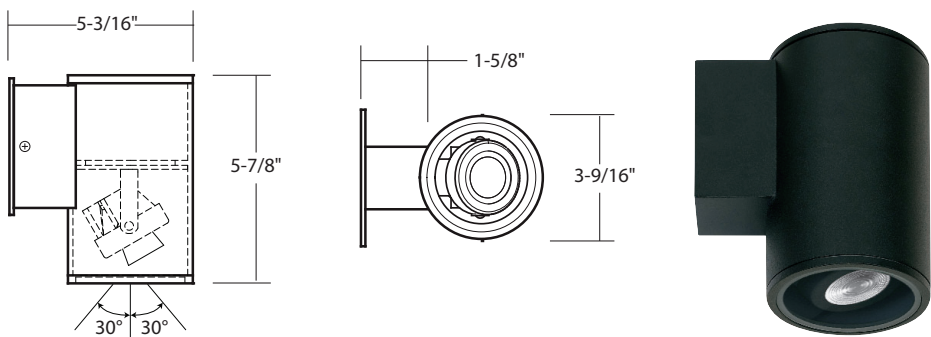


WD1340J: 4" ROUND 1-DIRECTION

ADJUSTABLE WALL MOUNT (IP65) 700LM (9W)



- Remote Emergency Option!
- Daylight Sensor available
- Uniform, low glare illumination
- Durable, corrosion resistant finish
- Singular COB Light Source
- 5-Year Limited Warranty
- UniDim™ option dimming with 2-Wire Incandescent, 3-Wire, ELV or 0-10V Controls
- ±30° Tilt
- Integral J-Box Option
- IK08 Rated
- New Die-Cast Mounting Plate (-WPDC4)

ORDERING : WD1340JB-B45UE-DUN-EMAC-T30-JB

[Click for Full Specification Details](#)

WD1340J

Fixture Finish Optics Control Emergency Options LED Options

Finish		Control		Emergency Options		LED	
White	(RAL 9003) W	Non-Dimming (120V)	Blank	None	Blank	2700K (80 CRI)	-T27²
Silver	(RAL 7037) S	0-10V Dimming (120V/277V)	UE-D10	Remote Emergency	-EMAC	3000K (80 CRI)	-T30²
Bronze	(RAL 8019) BZ	UniDim™ 0-10V, TRIAC/ELV Dimming (120V/277V)	UE-DUN	BackPack (Side Mount)	-EMB-SD⁷	3500K (80 CRI)	-T35²
Black	(RAL 9005) B	1%, 0-10V Dimming (120V/277V)	UE-D10P1	BackPack (Face Mount)	-EMB-FC⁷	4000K (80 CRI)	-T40²
Light Silver	(RAL 7036) LS¹	Casambi Wireless Dimming (120V/277V)	-DCSM⁴	BackPack (Empty, Side Mount)	-EMB-BLANK-SD⁶	Options	
Dark Grey	(RAL 7015) DG¹	BubblyNet Wireless System (120V/277V)	-DBNT²	BackPack (Empty, Face Mount)	-EMB-BLANK-FC⁶	None	Blank
Metallic Gold	(RAL 1001) MG¹	SimplySnap Wireless System (120V/277V)	-DSYN⁵			Integral Junction Box 1-Outlet	-JB
Metallic Black	(RAL 7021) MB¹					Photocell Sensor	-SDL
Optics						Glare Shield	-SH
<i>Standard Beams</i>						Cold Weather	-CW³
Flood	-B45					Marine Grade Finish	-MGD¹
Wide Flood	-B60					Die-Cast Oversized Mounting Plate	-WPDC4

¹ Special Order Finish. Minimum order quantity (MOQ) applies. Orders less than MOQ are subject to a special paint set-up fee for the quantity ordered. Extended lead times may apply. Consult Factory.
² Special Order. Minimum order quantity (MOQ), extended lead time may apply. Consult Factory.
³ Cold Weather Start (-CW) Starting Temperature -30°C / -22°F.
⁴ Special Order. Must be ordered with -EMB-FC.
⁵ Special Order. Must be ordered with -EMB-BLANK.
⁶ Blank EM enclosure available for non-EM units to provide a seamless design aesthetic when EM enabled products are installed.
⁷ (-EMB-SD) and (-EMB-FC) are not compatible with (-CW) option.

347V Input with 0-10V Dimming available. Consult factory for lead times.
 Custom RAL Color: Please note that we appreciate custom finishes. Custom finishes are subject to a special paint setup fee for the quantity ordered. Extended lead times may apply. Consult Factory.

2026.04.09