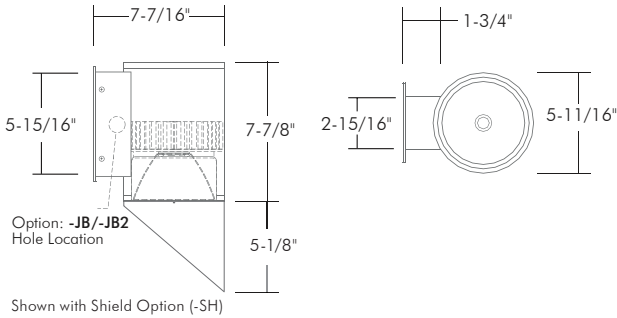


WD1360-USA : 6" ROUND

1-DIRECTION WALL MOUNT (IP65) 1000LM - 2600LM (10W/15W/22W/30W)



• Produced in USA

- Uniform, Low Glare Illumination
- Singular COB light source
- New Integral Emergency Option
- 13' Mtg. Ht., 22' O.C. Spacing (1000 lumen package)
- 25' Mtg. Ht., 22' O.C. Spacing (1500 lumen package)
- 5-Year Limited Warranty
- Photocell Available
- Available with Type IV/Forward Throw Optics
- IK08 Rated
- New Die-Cast Mounting Plate (-WPDC6)

ORDERING : WD1360-USAB-L15-B20-UE-D10-EMAC-T27-LVR



[Click for Full Specification Details](#)

WD1360-USA

Fixture	Finish	Lumen	Optics	Control	Emergency Options	LED	Options
Finish		Optics		Control³		LED	
White (RAL 9003) W		<i>Standard Beams</i>		Non-Dimming (120V)	Blank	2700K (90 CRI)	-T27
Silver (RAL 7037) S		Wide Flood Blank		0-10V Dimming (120V/277V)	UE-D10	3000K (90 CRI)	-T30
Bronze (RAL 8019) BZ		Narrow Spot -B10		Emergency Options		3500K (90 CRI)	-T35
Black (RAL 9005) B		Spot -B20		None	Blank	4000K (90 CRI)	-T40
Light Silver (RAL 7036) LS¹		Flood -B45		Remote Emergency	-EMAC	5000K (80 CRI)	-T50
Dark Grey (RAL 7015) DG¹		<i>CleanBeam™ Option</i>		BackPack (Side Mount)	-EMB-SD⁶	Options	
Metallic Gold (RAL 1001) MG¹		10° Pencil Beam -CB10		BackPack (Face Mount)	-EMB-FC⁶	None	Blank
Metallic Black (RAL 7021) MB¹		15° Clean Beam -CB15		BackPack (Empty, Side Mount)	-EMB-BLANK-SD⁵	Hex-Cell Louver	-LVR¹⁰
Lumen		35° Clean Beam -CB35		BackPack (Empty, Face Mount)	-EMB-BLANK-FC⁵	Photocell Sensor	-SDL
1000lm (10W)	Blank	<i>Specialty Beams</i>				120V,277V	
1500lm (15W)	-L15	Wall Wash -BWW				Integral Junction Box	-JBL, JBR⁹
2200lm (22W)	-L20	Forward Throw -BIV				1-Entry	
2600lm (30W)	-L26	Type IV				Integral Junction Box	-JB2
		Type II				2-Entries	
		(110°x 40°)				Junction Box, Conduit	-JBT
						Top Entry	
						Surge Protector	-SRG
						Cold Weather	-CW^{4,6}
						Glare Shield	-SH
						Marine Grade Finish	-MGD¹
						Die-Cast Oversized	-WPDC6
						Mounting Plate	

¹ Special Order Finish. Minimum order quantity (MOQ) applies. Orders less than MOQ are subject to a special paint set-up fee for the quantity ordered. Extended lead times may apply. Consult Factory.

² Special Order. Minimum order quantity (MOQ), extended lead time may apply. Consult Factory.

³ Standard driver minimum starting temperature is -10°C / 14°F.

⁴ Cold Weather Start (-CW) Starting Temperature -30°C / -22°F.

⁵ Blank EM enclosure available for non-EM units to provide a seamless design aesthetic when EM enabled products are installed.

⁶ (-EMB-SD) and (-EMB-FC) are not compatible with (-CW) option.

⁹ Must Specify Left or Right, see Page 7 for more details.

¹⁰ (-LVR) Hex-Cell Louver is not compatible with CleanBeam Options (-CB10), (-CB15), (-CB35).

Energy Efficient Chip-On-Board (COB) Singular LED Light source provides for smooth uniform light output, eliminating the multiple shadow effect seen by multiple LED source products. Binned with 3-Step MacAdam Ellipses as recommended by Ansi Standard. Available in 2700K, 3000K, 3500K, 4000K, and 5000K.

Custom RAL Color: Please note that we appreciate custom finishes. Custom finishes are subject to a special paint setup fee for the quantity ordered. Extended lead times may apply. Consult Factory.