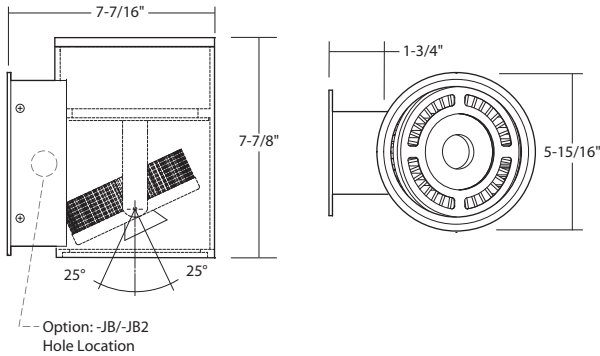


WD1360J: 6" ROUND 1-DIRECTION

ADJUSTABLE WALL MOUNT (IP65) 1500lm (15W)



- US Assembled
- Emergency Backup
- Wet
- Downlight
- IK08
- ETL Intertek
- Outdoor
- IP65
- 120V
- 277V
- Tamper Resistant
- Cold Weather
- Dark Sky
- Adjustable
- Wall Wash

- Remote Emergency Option!
- Daylight Sensor available
- Uniform, low glare illumination
- Durable, corrosion resistant finish
- Singular COB Light Source
- 5-Year Limited Warranty
- UniDim™ option dimming with 2-Wire Incandescent, 3-Wire, ELV or 0-10V Controls
- ±25° Tilt
- Integral J-Box Option
- IK08 Rated
- New Die-Cast Mounting Plate (-WPDC6)

ORDERING : WD1360JB-B12UE-DUN-EMAC-T27-SDL



[Click for Full Specification Details](#)

WD1360J

Fixture	Finish	Optics	Control	Emergency Options	LED	Options
Finish		Control		Emergency Options		LED
White (RAL 9003) W		Non-Dimming (120V)	Blank	None	Blank	2700K (90 CRI) -T27
Silver (RAL 7037) S		0-10V Dimming (120V/277V)	UE-D10	Remote Emergency	-EMAC	3000K (90 CRI) -T30
Bronze (RAL 8019) BZ				BackPack (Side Mount)	-EMB-SD⁸	3500K (90 CRI) -T35
Black (RAL 9005) B		UniDim™ 0-10V, TRIAC/ELV Dimming (120V/277V)	UE-DUN	BackPack (Face Mount)	-EMB-FC⁸	4000K (90 CRI) -T40
Light Silver (RAL 7036) LS²				BackPack (Empty, Side Mount)	-EMB-BLANK-SD⁷	Options
Dark Grey (RAL 7015) DG²		0-10V Dimming (347V)	-347-D10	BackPack (Empty, Face Mount)	-EMB-BLANK-FC⁷	
Metallic Gold (RAL 1001) MG²		1%, 0-10V Dimming (120V/277V)	UE-D10P1			None Blank
Metallic Black (RAL 7021) MB²						Photocell Sensor -SDL¹
Optics		Casambi Wireless Dimming (120V/277V)	-DCSM⁵			Integral Junction Box 1-Entry -JBL, JBR³
<i>Standard Beams</i>		BubblyNet Wireless System (120V/277V)	-DBNT⁵			Integral Junction Box 2-Entries -JB2
Spot -B12		SimplySnap Wireless System (120V/277V)	-DSYN⁶			Glare Shield -SH
Narrow Flood -B24						Cold Weather -CW⁴
Flood -B36						Marine Grade Finish -MGD²
Wide Flood -B50						Die-Cast Oversized Mounting Plate -WPDC6

¹ (-SDL) Photocell Sensor is only rated for (Blank) Non-Dimming 120V.
² Special Order Finish. Minimum order quantity (MOQ) applies. Orders less than MOQ are subject to a special paint set-up fee for the quantity ordered. Extended lead times may apply. Consult Factory.
³ Select left or right entry.
⁴ Cold Weather Start (-CW) Starting Temperature -30°C / -22°F.
⁵ Special Order.
⁶ Special Order. Must be ordered with -EMB-BLANK.
⁷ Blank EM enclosure available for non-EM units to provide a seamless design aesthetic when EM enabled products are installed.
⁸ (-EMB-SD) and (-EMB-FC) are not compatible with (-CW) option.
 347V Input with 0-10V Dimming available. Consult factory for lead times.
 Custom RAL Color: Please note that we appreciate custom finishes. Custom finishes are subject to a special paint setup fee for the quantity ordered. Extended lead times may apply. Consult Factory.

2026.04.09