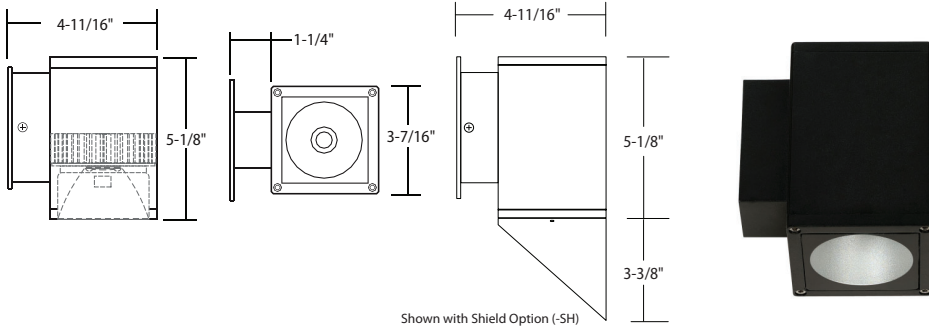


WD1Q340-USA : 4" SQUARE

1-DIRECTION WALL MOUNT (IP65) 1000LM/1500LM (10W/15W)



• Produced in USA

- Uniform, low glare illumination
- Singular COB light source
- New integral emergency option
- 13' mtg. ht., 22' o.c. spacing (1000 lumen package)
- 25' mtg. ht., 22' o.c. spacing (1500 lumen package)
- 5-year limited warranty
- Photocell available
- Available with Type IV/Forward Throw Optics
- IK08 Rated
- New Die-Cast Mounting Plate (-WPDC4)

ORDERING : WD1Q340-USAB-B10UE-D10-EMAC-T27-LVR

WD1Q340-USA



[Click for Full Specification Details](#)

Fixture	Finish	Lumen	Optics	Control	Emergency Options	LED	Options
Finish		Optics		Control³		LED	
White (RAL 9003) W		<i>Standard Beams</i>		Non-Dimming (120V)		Blank	2700K (90 CRI) -T27
Silver (RAL 7037) S		Wide Flood	Blank	0-10V Dimming (120V/277V)		UE-D10	3000K (90 CRI) -T30
Bronze (RAL 8019) BZ		Narrow Spot	-B10	Emergency Options			3500K (90 CRI) -T35
Black (RAL 9005) B		Spot	-B20	None		Blank	4000K (90 CRI) -T40
Light Silver (RAL 7036) LS¹		Flood	-B45	Remote Emergency		-EMAC	5000K (80 CRI) -T50
Dark Grey (RAL 7015) DG¹		<i>CleanBeam™ Option</i>		BackPack (Side Mount)		-EMB-SD⁵	Options
Metallic Gold (RAL 1001) MG¹		10° Pencil Beam	-CB10	BackPack (Face Mount)		-EMB-FC⁶	None Blank
Metallic Black (RAL 7021) MB¹		15° Clean Beam	-CB15	BackPack (Empty, Side Mount)		-EMB-BLANK-SD⁵	Hex-Cell Louver -LVR⁹
Lumen		35° Clean Beam	-CB35	BackPack (Empty, Face Mount)		-EMB-BLANK-FC⁵	Cold Weather Start -CW^{4,6}
1000lm (10W) Blank		<i>Specialty Beams</i>					Surge Protector -SRG
1500lm (15W) -L13		Wall Wash	-BWW				Photocell Sensor -SDL
		Forward Throw (Type IV)	-BIV				Glare Shield -SH
		Type II (30° x 60°)	-BII²				Marine Grade Finish -MGD¹
							Die-Cast Oversized Mounting Plate -WPDC4

¹Special Order Finish. Minimum order quantity (MOQ) applies. Orders less than MOQ are subject to a special paint set-up fee for the quantity ordered. Extended lead times may apply. Consult Factory.

²Special Order. Minimum order quantity (MOQ), extended lead time may apply. Consult Factory.

³Standard driver minimum starting temperature is -10°C / 14°F.

⁴Cold Weather Start (-CW) Starting Temperature -30°C / -22°F.

⁵Blank EM enclosure available for non-EM units to provide a seamless design aesthetic when EM enabled products are installed.

⁶(-EMB-SD) and (-EMB-FC) are not compatible with (-CW) option.

⁹(-LVR) Hex-Cell Louver is not compatible with CleanBeam Options (-CB10), (-CB15), (-CB35).

347 Input with 0-10V available. Consult Factory for details and lead time.

Energy Efficient Chip-On-Board (COB) Singular LED Light source provides for smooth uniform light output, eliminating the multiple shadow effect seen by multiple LED source products.

Binned with 3-Step MacAdam Ellipses as recommended by Ansi Standard. Available in 2700K, 3000K, 3500K, 4000K, and 5000K.

Custom RAL Color: Please note that we appreciate custom finishes. Custom finishes are subject to a special paint setup fee for the quantity ordered. Extended lead times may apply. Consult Factory.