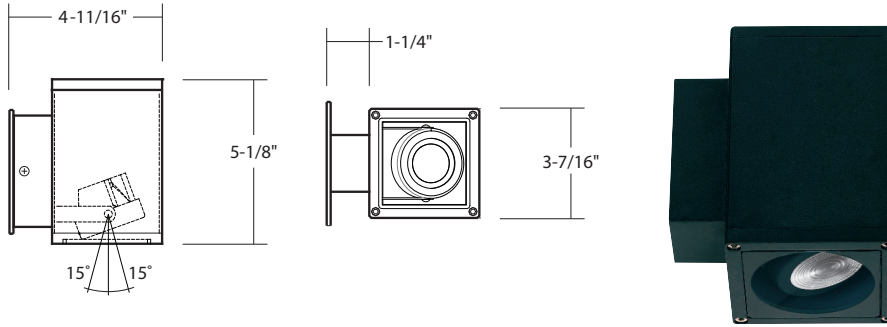


WD1Q340J: 4" SQUARE 1-DIRECTION

ADJUSTABLE WALL MOUNT (IP65) 700LM (9W)



- Remote Emergency Option!
- Photocell Sensor available
- Uniform, low glare illumination
- Durable, corrosion resistant finish
- Singular COB Light Source
- 5-Year Limited Warranty
- UniDim™ option dimming with 2-Wire Incandescent, 3-Wire, ELV or 0-10V Controls
- ± 15° Tilt
- Integral J-Box Option
- IK08 Rated
- New Die-Cast Mounting Plate (-WPDC4)

ORDERING : WD1Q340JW-B45UE-DUN-EMAC-T27-JB

[Click for Full Specification Details](#)

WD1Q340J

Fixture Finish Optics Control Emergency Options LED Options

Finish		Optics	Control	LED
White (RAL 9003) W		<i>Standard Beams</i>	Non-Dimming (120V) Blank	2700K (80 CRI) -T27³
Silver (RAL 7037) S		Flood -B45	UniDim™ 0-10V, TRIAC/ELV Dimming (120V/277V) UE-DUN	3000K (80 CRI) -T30
Bronze (RAL 8019) BZ		Wide Flood -B60	1%, 0-10V Dimming (120V/277V) UE-D10P1	3500K (80 CRI) -T35³
Black (RAL 9005) B			Casambi Wireless Dimming (120V/277V) -DCSM⁵	4000K (80 CRI) -T40³
Light Silver (RAL 7036) LS²			BubblyNet Wireless System (120V/277V) -DBNT³	
Dark Grey (RAL 7015) DG²			SimplySnap Wireless System (120V/277V) -DSYN⁶	
Metallic Gold (RAL 1001) MG²				Options
Metallic Black (RAL 7021) MB²				None Blank
			Emergency Options	Integral Junction Box 1-Outlet -JB
			None Blank	Photocell Sensor -SDL¹
			Remote Emergency -EMAC	Glare Shield -SH
			BackPack (Side Mount) -EMB-SD⁸	Cold Weather -CW⁴
			BackPack (Face Mount) -EMB-FC⁸	Marine Grade Finish -MGD¹
			BackPack (Empty, Side Mount) -EMB-BLANK-SD⁷	Die-Cast Oversized Mounting Plate -WPDC4
			BackPack (Empty, Face Mount) -EMB-BLANK-FC⁷	

¹ (-SDL) Daylight Sensor is only rated for (Blank) Non-Dimming 120V.

² Special Order Finish. Minimum order quantity (MOQ) applies. Orders less than MOQ are subject to a special paint set-up fee for the quantity ordered. Extended lead times may apply. Consult Factory.

³ Special Order. Minimum order quantity (MOQ), extended lead time may apply. Consult Factory.

⁴ Cold Weather Start (-CW) Starting Temperature -30°C / -22°F.

⁵ Special Order. Must be ordered with -EMB-FC.

⁶ Special Order. Must be ordered with -EMB-BLANK.

⁷ Blank EM enclosure available for non-EM units to provide a seamless design aesthetic when EM enabled products are installed.

⁸ (-EMB-SD) and (-EMB-FC) are not compatible with (-CW) option.

347V Input with 0-10V Dimming available. Consult factory for lead times.

Custom RAL Color: Please note that we appreciate custom finishes. Custom finishes are subject to a special paint setup fee for the quantity ordered. Extended lead times may apply. Consult Factory.