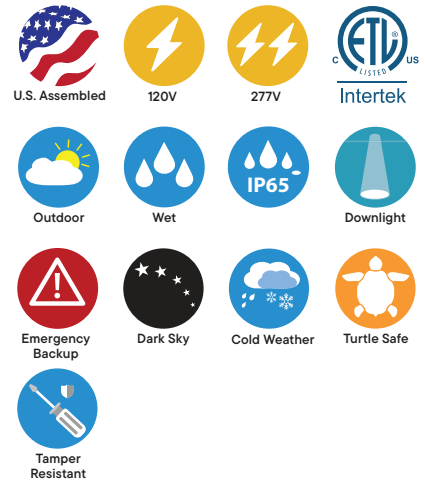
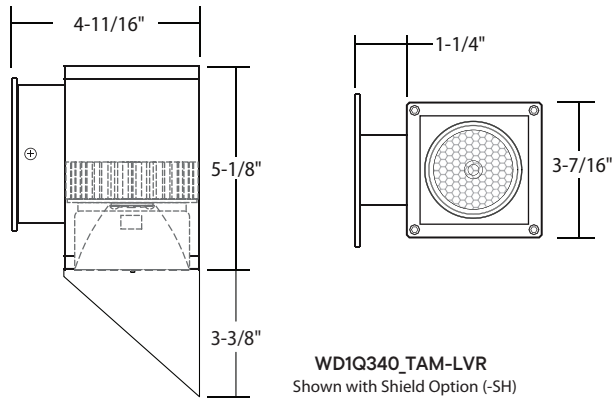


| WD1Q340: 4" SQUARE 1-DIRECTION

WALL MOUNT (IP65) AMBER (TURTLE SAFE) 280LM (14W)



- True Amber Narrow Wavelength 590nm LED
- Integral Surface J-Box Option
- Emergency back up available
- 5-Year Limited Warranty
- IK08 Rated
- New Die-Cast Mounting Plate (-WPDC4)

ORDERING : WD1Q340WUE-D10-TAM-LVR-EMAC



[Click for Full Specification Details](#)

Finish	Control	LED	Emergency Options	Options
Finish	Control	LED	Emergency Options	Options
White	WD1Q340W	Non-Dimming (120V)	Blank	590nm Amber
Silver	WD1Q340S	UniDim™ 0-10V, TRIAC/ELV Dimming (120V/277V)	UE-DUN	-TAM-LVR
Bronze	WD1Q340BZ	Casambi Wireless Dimming (120V/277V)	-DCSM¹	Emergency Options
Black	WD1Q340B	BubblyNet Wireless System (120V/277V)	-DBNT¹	None
Light Silver	WD1Q340LS²	SimplySnap Wireless System (120V/277V)	-DSYN^{1,4}	Remote Emergency
Dark Grey	WD1Q340DG²			BackPack (Side Mount)
Metallic Gold	WD1Q340MG²			BackPack (Face Mount)
Metallic Black	WD1Q340MB²			BackPack (Empty, Side Mount)
				BackPack (Empty, Face Mount)
				-EMAC
				-EMB-SD⁶
				-EMB-FC⁶
				-EMB-BLANK-SD⁵
				-EMB-BLANK-FC⁵
				None
				Blank
				Daylight Sensor (120V)
				Glare Shield
				Marine Grade Finish
				Die-Cast Oversized Mounting Plate
				None
				Blank
				Cold Weather
				Surge Protector
				Daylight Sensor (120V)
				Glare Shield
				Marine Grade Finish
				Die-Cast Oversized Mounting Plate

¹Special Order. Special order. Minimum Order, Extended lead time may apply. Consult Factory.
²Special Order Finish. Minimum order quantity (MOQ) applies. Orders less than MOQ are subject to a special paint set-up fee for the quantity ordered. Extended lead times may apply. Consult Factory.
³Starting Temperature -40°C/-40°F. Only available with (UE-DUN) control option.
⁴Special Order. Must be ordered with -EMB-BLANK.