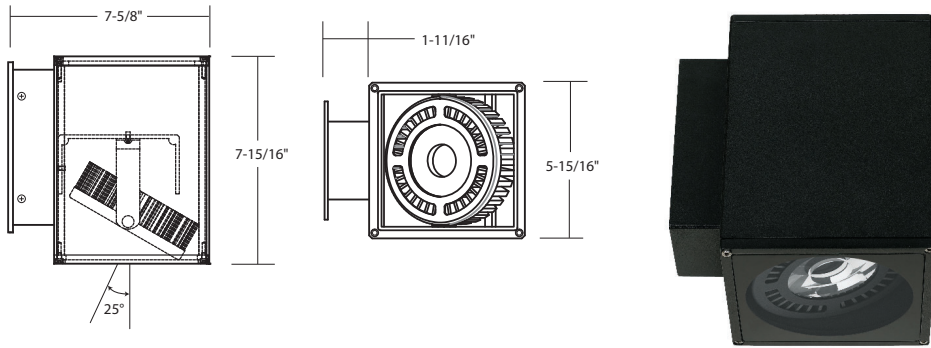


WD1Q360J: 6" SQUARE 1-DIRECTION

ADJUSTABLE WALL MOUNT (IP65) 1500lm (15W)



- Remote Emergency Option!
- Photocell Sensor available
- Uniform, low glare illumination
- Durable, corrosion resistant finish
- Singular COB Light Source
- 5-Year Limited Warranty
- UniDim™ option dimming with 2-Wire Incandescent, 3-Wire, ELV or 0-10V Controls
- ±25° Tilt
- Integral J-Box Option
- IK08 Rated
- New Die-Cast Mounting Plate (-WPDC6)

ORDERING : WD1Q360JW-B12UE-DUN-EMAC-T27-SDL



[Click for Full Specification Details](#)

WD1Q360J

Fixture	Finish	Optics	Control	Emergency Options	LED	Options
Finish		Optics	Control	Emergency Options	LED	Options
White (RAL 9003) W		<i>Standard Beams</i>	Non-Dimming (120V)	Blank	2700K (80 CRI)	-T27
Silver (RAL 7037) S		Spot	UniDim™ 0-10V, TRIAC/ELV Dimming (120V/277V)	UE-DUN	3000K (80 CRI)	-T30
Bronze (RAL 8019) BZ		Narrow Flood	1%, 0-10V Dimming (120V/277V)	UE-D10P1	3500K (80 CRI)	-T35
Black (RAL 9005) B		Flood	Casambi Wireless Dimming (120V/277V)	-DCSM⁵	4000K (80 CRI)	-T40
Light Silver (RAL 7036) LS²		Wide Flood	BubblyNet Wireless System (120V/277V)	-DBNT⁵		Options
Dark Grey (RAL 7015) DG²			SimplySnap Wireless System (120V/277V)	-DSYN⁶		None Blank
Metallic Gold (RAL 1001) MG²			Emergency Options			Photocell Sensor -SDL¹
Metallic Black (RAL 7021) MB²			None Blank			Integral Junction Box 1-Entry -JBL, JBR³
			Remote Emergency -EMAC			Integral Junction Box 2-Entries -JB2
			BackPack (Side Mount) -EMB-SD⁸			Cold Weather -CW^{4,8}
			BackPack (Face Mount) -EMB-FC⁸			Marine Grade Finish -MGD
			BackPack (Empty, Side Mount) -EMB-BLANK-SD⁷			Die-Cast Oversized Mounting Plate -WPDC6
			BackPack (Empty, Face Mount) -EMB-BLANK-FC⁷			

¹ (-SDL) Daylight Sensor is only rated for (Blank) Non-Dimming 120V.

² Special Order Finish. Minimum order quantity (MOQ) applies. Orders less than MOQ are subject to a special paint set-up fee for the quantity ordered. Extended lead times may apply. Consult Factory.

³ Select left of right entry.

⁴ Cold Weather Start (-CW) Starting Temperature -30°C/-22°F.

⁵ Special Order.

⁶ Special Order. Must be ordered with -EMB-BLANK.

⁷ Blank EM enclosure available for non-EM units to provide a seamless design aesthetic when EM enabled products are installed.

⁸ (-EMB-SD) and (-EMB-FC) are not compatible with (-CW) option.

347V Input with 0-10V Dimming available. Consult factory for lead times.

Custom RAL Color: Please note that we appreciate custom finishes. Custom finishes are subject to a special paint setup fee for the quantity ordered. Extended lead times may apply. Consult Factory.