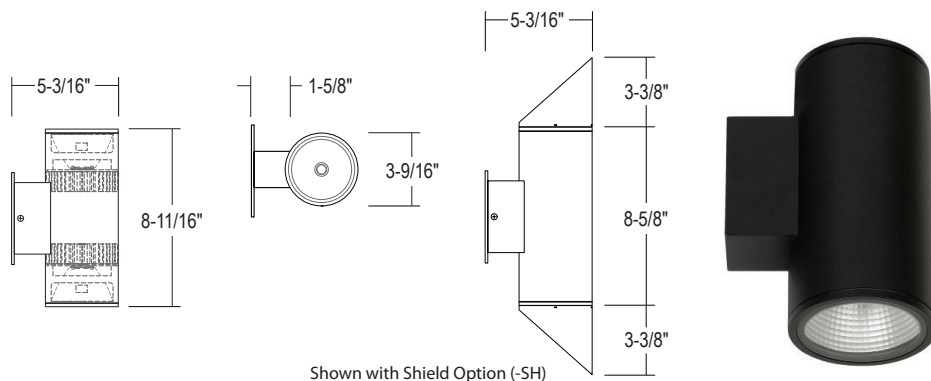


WD2340-USA : 4" ROUND

2-DIRECTION WALL MOUNT (IP65) 2 X 1000LM-1500LM (20W-30W)



Shown with Shield Option (-SH)



Produced in USA

- Uniform, Low Glare Illumination
- Singular COB light source
- New Integral Emergency Option
- 13' Mtg. Ht., 22' O.C. Spacing (1000 lumen package)
- 25' Mtg. Ht., 22' O.C. Spacing (1500 lumen package)
- 5-Year Limited Warranty
- Photocell Available
- Available with Type IV/Forward Throw Optics
- IK08 Rated
- New Die-Cast Mounting Plate (-WPDC4)

ORDERING : WD2340-USAB-BU10-BD10UE-D10-T27-LVR



[Click for Full Specification Details](#)

WD2340-USA

Fixture	Finish	Lumen	Optics	Control	LED	Emergency Options	Options
Finish			Optics	Control³		Emergency Options	Options
White (RAL 9003) W			⊕ <i>Beam Up</i>	⊙ <i>Beam Down</i>		Non-Dimming (120V)	Blank
Silver (RAL 7037) S			<i>Standard Beams</i>	<i>Standard Beams</i>		0-10V Dimming (120V/277V)	UE-D10
Bronze (RAL 8019) BZ			Wide Flood Blank	Wide Flood Blank		LED	None
Black (RAL 9005) B			Narrow Spot -BU10	Narrow Spot -BD10		2700K (90 CRI)	Remote
Light Silver (RAL 7036) LS¹			Spot -BU20	Spot -BD20		3000K (90 CRI)	BackPack (Side Mount)
Dark Grey (RAL 7015) DG¹			Flood -BU45	Flood -BD45		3500K (90 CRI)	BackPack (Face Mount)
Metallic Gold (RAL 1001) MG¹			<i>CleanBeam™ Option</i>	<i>CleanBeam™ Option</i>		4000K (90 CRI)	BackPack (Empty, Side Mount)
Metallic Black (RAL 7021) MB¹			10° Pencil Beam -CBU10	10° Pencil Beam -CBD10		5000K (80 CRI)	BackPack (Empty, Face Mount)
Lumen			15° Clean Beam -CBU15	15° Clean Beam -CBD15			-EMB-FC⁶
2 x 1000lm (20W)	Blank		35° Clean Beam -CBU35	35° Clean Beam -CBD35			-EMB-BLANK-SD⁵
2 x 1500lm (30W)	-L15		<i>Specialty Beams</i>	<i>Specialty Beams</i>			BackPack (Empty, Face Mount)
			Wall Wash -BUWW	Wall Wash -BDWW			-EMB-BLANK-FC⁵
			Forward Throw (Type IV) -BUIV	Forward Throw (Type IV) -BDIV			Options
			Type II (30° x 60°) -BUII²	Type II (30° x 60°) -BDII²			None

¹Special Order Finish. Minimum order quantity (MOQ) applies. Orders less than MOQ are subject to a special paint set-up fee for the quantity ordered. Extended lead times may apply. Consult Factory.

²Special Order. Minimum order quantity (MOQ), extended lead time may apply. Consult Factory.

³Standard driver minimum starting temperature is -10°C / 14°F.

⁴Cold Weather Start (-CW) Starting Temperature -30°C / -22°F.

⁵Blank EM enclosure available for non-EM units to provide a seamless design aesthetic when EM enabled products are installed.

⁶(-EMB-SD) and (-EMB-FC) are not compatible with (-CW) option.

⁸(-LVR) Hex-Cell Louver is not compatible with CleanBeam Options (-CBU10), (-CBU15), (-CBU35), (-CBD10), (-CBD15), (-CBD35).

347 Input with 0-10V available. Consult Factory for details and lead time.

Energy Efficient Chip-On-Board (COB) Singular LED Light source provides for smooth uniform light output, eliminating the multiple shadow effect seen by multiple LED source products. Binned with 3-Step MacAdam Ellipses as recommended by Ansi Standard. Available in 2700K, 3000K, 3500K, 4000K, 5000K.

Custom RAL Color: Please note that we appreciate custom finishes. Custom finishes are subject to a special paint setup fee for the quantity ordered. Extended lead times may apply. Consult Factory.

2026.03.18